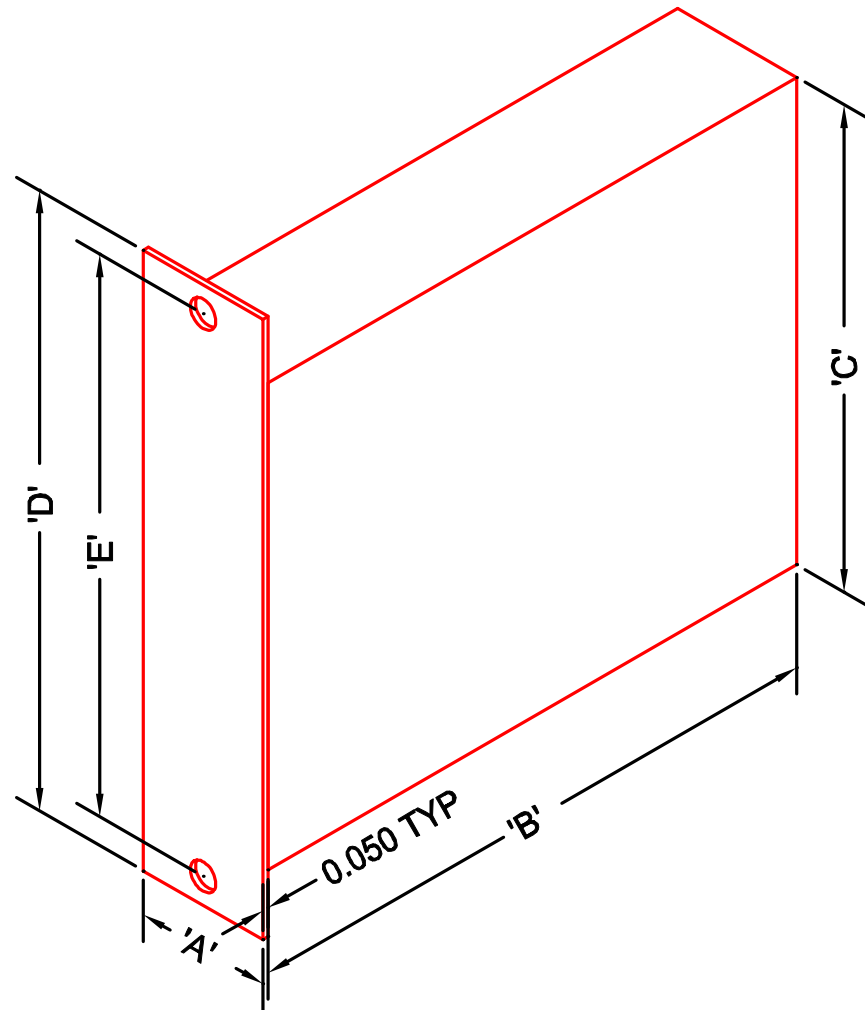
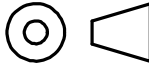


CONFIGURATION	DIM 'A'	DIM 'B'	DIM 'C'	DIM 'D'	DIM 'E'
FIBERDYNE/LGX/LUCENT					
- SINGLE WIDE	1.13" (2.9cm)	4.98" (12.6cm)	3.98" (10.1cm)	5.07" (12.9cm)	4.60" (11.7cm)
- SINGLE WIDE REDUCED	1.13" (2.9cm)	3.63" (9.2cm)	3.98" (10.1cm)	5.07" (12.9cm)	4.60" (11.7cm)
- DOUBLE WIDE	2.25" (5.7cm)	4.98" (12.6cm)	3.98" (10.1cm)	5.07" (12.9cm)	4.60" (11.7cm)
- TRIPLE WIDE	3.38" (8.6cm)	4.98" (12.6cm)	3.98" (10.1cm)	5.07" (12.9cm)	4.60" (11.7cm)
- 6X	6.75" (17.1cm)	4.98" (12.6cm)	3.98" (10.1cm)	5.07" (12.9cm)	4.60" (11.7cm)
CORNING FDC/SIECOR					
- SINGLE WIDE	1.38" (3.5cm)	6.00" (15.2cm)	4.63" (11.8cm)	6.00" (15.2cm)	5.37" (13.6cm)
- DOUBLE WIDE	2.75" (7.0cm)	6.00" (15.2cm)	4.63" (11.8cm)	6.00" (15.2cm)	5.37" (13.6cm)
ADC/CORNING ACH					
- SINGLE WIDE	1.06" (2.7cm)	5.97" (15.2cm)	7.12" (18.1cm)	8.62" (21.9cm)	7.92" (20.1cm)
- DOUBLE WIDE	2.31" (5.9cm)	5.97" (15.2cm)	7.12" (18.1cm)	8.62" (21.9cm)	7.92" (20.1cm)
- TRIPLE WIDE	3.56" (9.0cm)	5.97" (15.2cm)	7.12" (18.1cm)	8.62" (21.9cm)	7.92" (20.1cm)
FIBERDYNE FCH/CORNING CCH					
- SINGLE WIDE	1.38" (3.5cm)	5.00" (12.7cm)	4.38" (11.1cm)	6.20" (15.8cm)	5.73" (14.5cm)

NOTE: ADC/CORNING ACH MODULES HAVE ANGLED FACEPLATES. ALL OTHER MODULES HAVE FLAT FACEPLATES AS SHOWN.

REVISIONS				
REV	DESCRIPTION	DATE	BY	
Ⓐ	ECN LOG #01332-01	03-14-02	MFS	
Ⓑ	ECN LOG #04064-01	03-04-04	MFS	
Ⓒ	ECN LOG #05292-01	10-19-05	MFS	



THIRD ANGLE PROJECTION  SHEET SIZE <b>A</b>	<b>FIBERDYNE CONFIDENTIAL</b> UNLESS OTHERWISE SPECIFIED: ALL DIMENSIONS IN INCHES TOLERANCES: 0.X = ±0.05 0.0X = ±0.015 0.XXX = ±0.005 ANG. = ±0.5° REMOVE ALL BURRS AND SHARP CORNERS 0.01R	<b>FIBERDYNE LABS, INC</b>		FRANKFORT, NY 13340 800-894-9694
		NAME <b>COUPLER BOX REFERENCE DRAWING</b>		
DWG BY <b>M. STREETER</b>		DWG # <b>200-10417-001</b>		
DATE <b>07-18-00</b>		SCALE <b>NONE</b>		SHEET <b>01</b> OF <b>01</b>