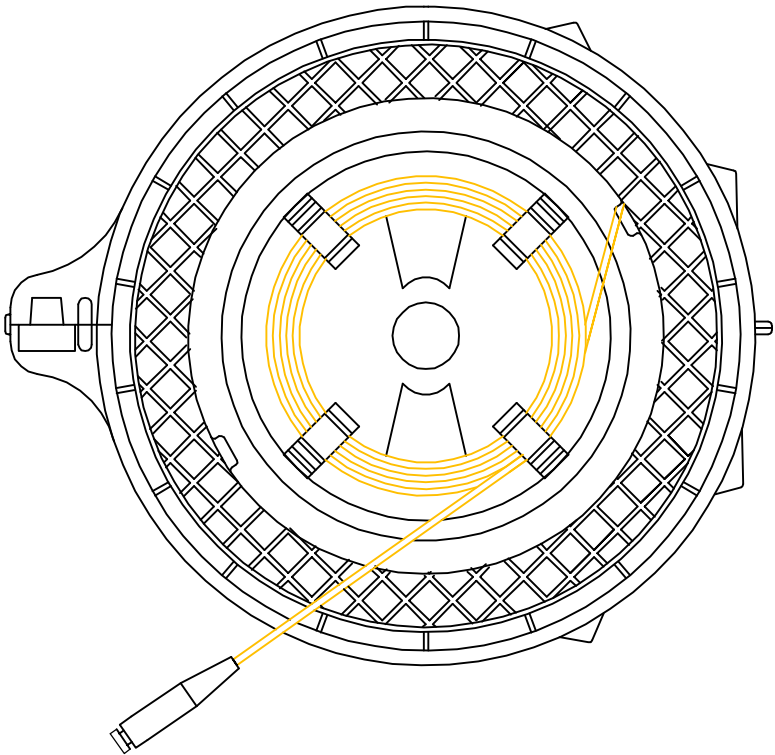
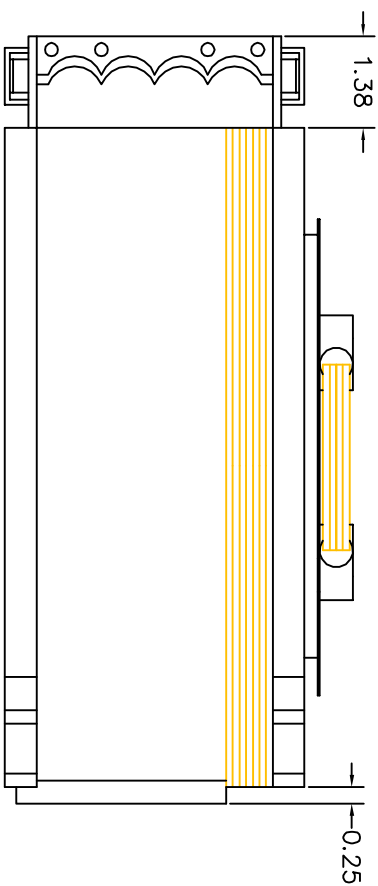
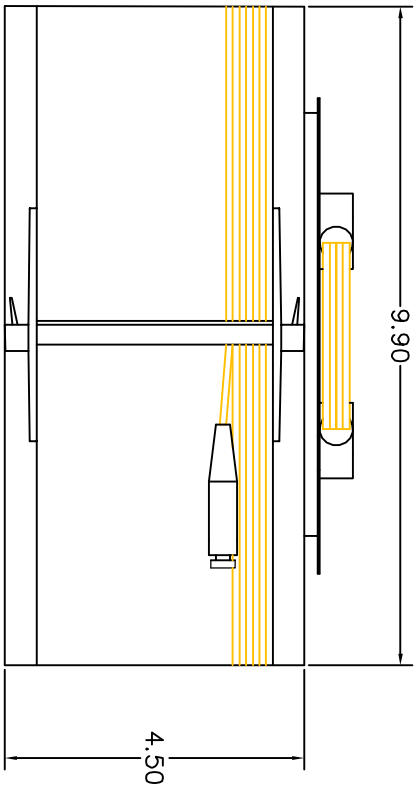


REVISIONS

REV	DESCRIPTION	DATE	BY



PART #: F1C1BBXGC6610K – 3mm (multi mode)
 F1C1BAXXGC6610K – 3mm (single mode)
 Fiberdyne Labs Test Tote allows for single fiber up to 20Km test spans. Available options include: Single Mode and Multimode (62.5/125, 50/125) fiber in lengths to 20Km. Required length is specified in the last three digits of the part number i.e. 10Km. Each end has 3 meters of 3mm jacketed fiber exposed for added durability and can be terminated with a variety of connector types. Combine (2) reels for full duplex applications.



FIBERDYNE CONFIDENTIAL
 UNLESS OTHERWISE SPECIFIED:
 ALL DIMENSIONS IN INCHES

TOLERANCES:
 0.X = ±0.05
 0.OX = ±0.015
 0.XXX = ±0.005
 ANG. = ±0.5°
 REMOVE ALL BURRS AND SHARP CORNERS 0.01R

FIBERDYNE LABS, INC

FRANKFORT, NY
 13340
 800-894-9694

NAME FIBER TEST TOTE: 62.5/125 250um 10Km SC

DWG BY C.Ostrander DWG # 120-10850-001

DATE 7/16/2008 SCALE inches SHEET 01 OF 01