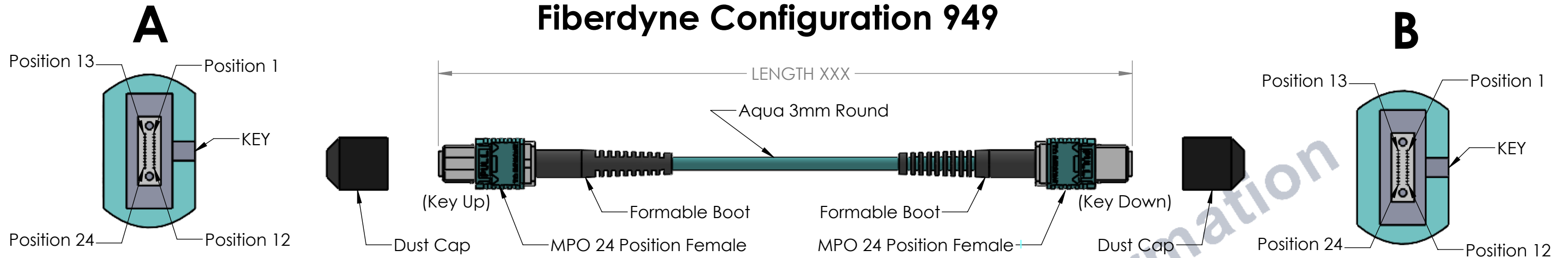


Fiberdyne Configuration 949



MM MPO Assemblies

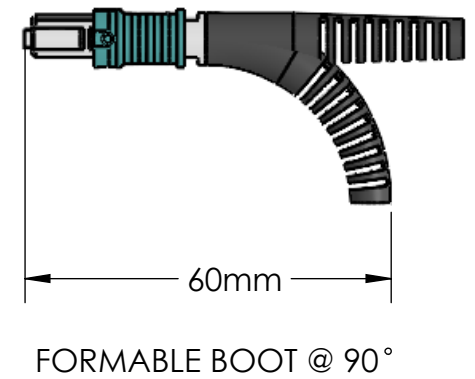
Fiberdyne Part Number	Cable Type 50/125 OM3/OM4	Fiber Count	End A Connector	End B Connector	Guide Pin P=Pinned(Male) NP=Non-Pinned(Female)	Insertion Loss (IL) Standard / Low Loss*
FMT-949010-XXXM	3mm Round Plenum OM3	24	MPO 1x24	MPO 1x24	NP-NP	<.75
FMT-949020-XXXM	3mm Round Plenum OM3	24	MPO 1x24	MPO 1x24	NP-P	<.75
FMT-949040-XXXM	3mm Round Plenum OM3	24	MPO 1x24	MPO 1x24	P-P	<.75
FMT-949050-XXXM	3mm Round Plenum OM3	24	MPO 1x24	MPO 1x24	NP-NP	<.35
FMT-949060-XXXM	3mm Round Plenum OM3	24	MPO 1x24	MPO 1x24	NP-P	<.35
FMT-949080-XXXM	3mm Round Plenum OM3	24	MPO 1x24	MPO 1x24	P-P	<.35
Fiberdyne Part Number	Cable Type 50/125 OM4	Fiber Count	End A Connector	End B Connector	Guide Pin P=Pinned(Male) NP=Non-Pinned(Female)	Insertion Loss (IL) Standard / Low Loss*
FMT-949110-XXXM	3mm Round Plenum OM4	24	MPO 1x24	MPO 1x24	NP-NP	<.75
FMT-949120-XXXM	3mm Round Plenum OM4	24	MPO 1x24	MPO 1x24	NP-P	<.75
FMT-949140-XXXM	3mm Round Plenum OM4	24	MPO 1x24	MPO 1x24	P-P	<.75
FMT-949150-XXXM	3mm Round Plenum OM4	24	MPO 1x24	MPO 1x24	NP-NP	<.35
FMT-949160-XXXM	3mm Round Plenum OM4	24	MPO 1x24	MPO 1x24	NP-P	<.35
FMT-949180-XXXM	3mm Round Plenum OM4	24	MPO 1x24	MPO 1x24	P-P	<.35

*Insertion Loss for Connector Only

Fiberdyne Configuration 949

MPO-MPO, MM, 50/125um, OM3/OM4, 24 Position 24 Fiber to 24 Position 24 Fiber, Formable Boot, ANSI/TIA-568.3 Type A:2-2

Fiber Color	Position # Connector A Key UP	Position # Connector B Key DOWN	Fiber Color
Blue	1	13	Blue
Orange	2	14	Orange
Green	3	15	Green
Brown	4	16	Brown
Grey	5	17	Grey
White	6	18	White
Red	7	19	Red
Black	8	20	Black
Yellow	9	21	Yellow
Purple	10	22	Purple
Pink	11	23	Pink
Aqua	12	24	Aqua
Fiber Color	Position # Connector A	Position # Connector B	Fiber Color
Blue	13	1	Blue
Orange	14	2	Orange
Green	15	3	Green
Brown	16	4	Brown
Grey	17	5	Grey
White	18	6	White
Red	19	7	Red
Black	20	8	Black
Yellow	21	9	Yellow
Purple	22	10	Purple
Pink	23	11	Pink
Aqua	24	12	Aqua



Note: Configured per ANSI/TIA-568.3 Type A:2-2

Fiberdyne Labs Inc. Frankfort, NY
www.fiberdyne.com

PROPRIETARY AND CONFIDENTIAL

THE INFORMATION CONTAINED IN THIS DRAWING IS THE SOLE PROPERTY OF Fiberdyne Labs Inc. ANY REPRODUCTION IN PART OR AS A WHOLE WITHOUT THE WRITTEN PERMISSION OF Fiberdyne Labs Inc IS PROHIBITED.

RoHS

FIBERDYNE LABS INC.

TITLE: Fiberdyne Configuration 949
MPO-MPO MM 50/125um, OM3/OM4, 24 Position 24 Fiber to 24 Position 24 Fiber, Formable Boot, ANSI/TIA-568.3 Type A:2-2

SIZE DWG. NO. REV
B 900_13500_001 -1

SCALE: NA SHEET 1 OF 1

ZONE	REV.	DESCRIPTION	DATE	APPROVED
-1		Original Publication	3/11/25	FMO
REVISIONS				