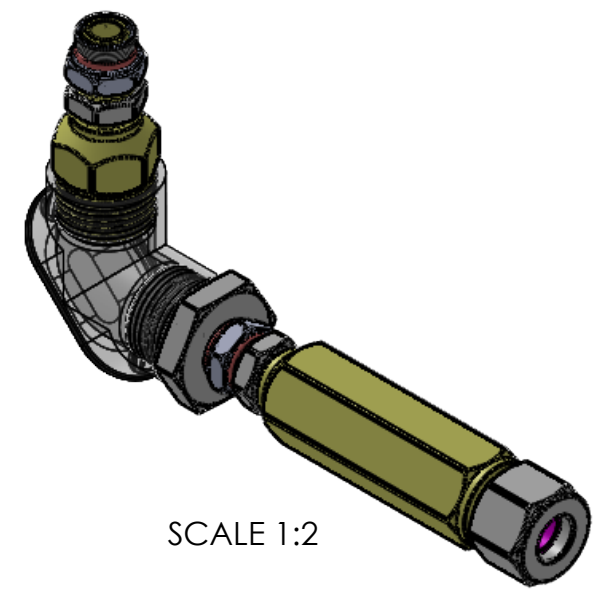
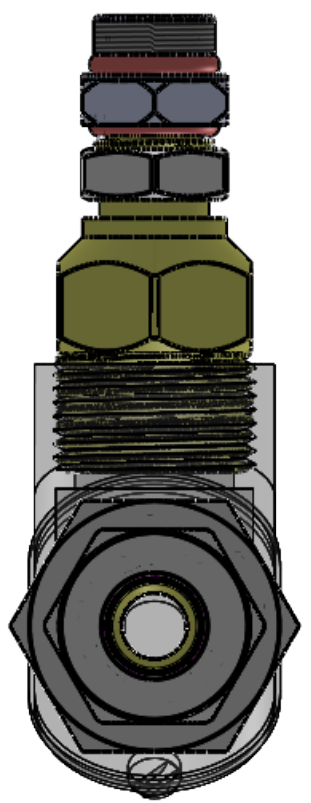
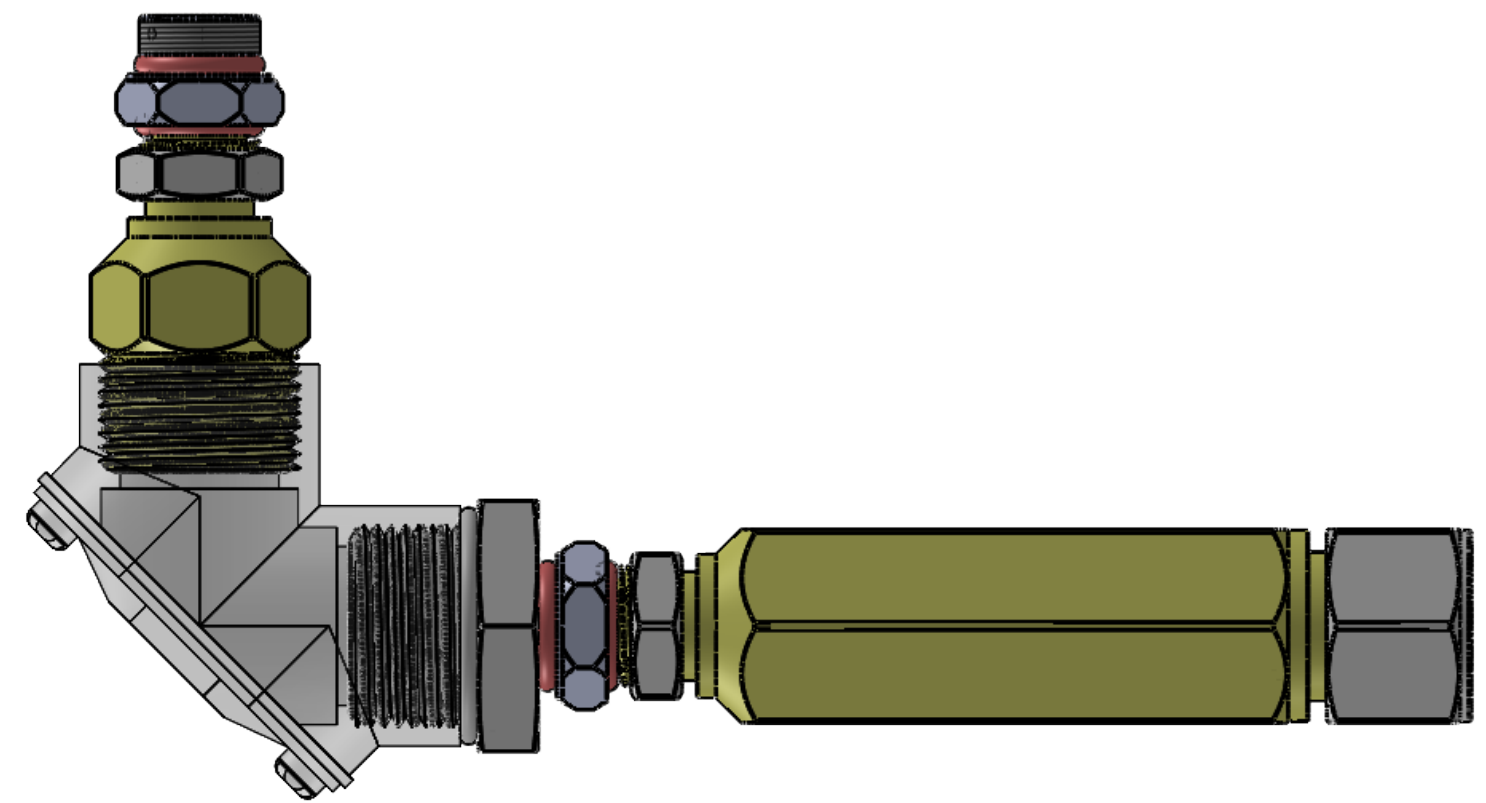


8 7 6 5 4 3 2 1

REVISIONS				
ZONE	REV.	DESCRIPTION	DATE	APPROVED

D
C
B
A

D
C
B
A



PROPRIETARY AND CONFIDENTIAL
 THE INFORMATION CONTAINED IN THIS DRAWING IS THE SOLE PROPERTY OF FIBERDYNE LABS INC. ANY REPRODUCTION IN PART OR AS A WHOLE WITHOUT THE WRITTEN PERMISSION OF FIBERDYNE LABS INC IS PROHIBITED.

		UNLESS OTHERWISE SPECIFIED:				NAME		DATE		FIBERDYNE LABS, INC	
		DIMENSIONS ARE IN INCHES		DRAWN		FMO		08/27/18			
		TOLERANCES:		CHECKED						SIZE B	
		FRACTIONAL ±		ENG APPR.		FMO		08/27/18			
		ANGULAR: MACH ±		MFG APPR.						REV	
		TWO PLACE DECIMAL ±.01		Q.A.						SCALE: 1:1	
		THREE PLACE DECIMAL ±.005		COMMENTS:						SHEET 1 OF 1	
		INTERPRET GEOMETRIC TOLERANCING PER:		CAD FILE: 120_12722_001SLDASM							
		MATERIAL		FINISH		NA					
NEXT ASSY		USED ON		APPLICATION		DO NOT SCALE DRAWING					

8 7 6 5 4 3 2 1