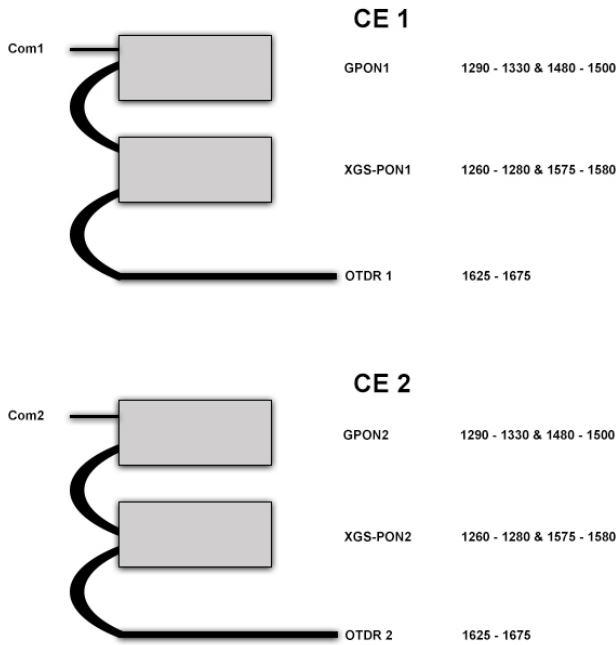


# FWX-CET2xxx Series

## CoEx Type 2

Fiberdyne Labs FWX-CET2xxx Series modules allow for the coexistence of GPON, XGS-PON, and OTDR technologies.



### Module Schematic

FWX-CET2xxx Series CoEx Type 2		
Parameters		
GPON Wavelength (nm)		1290-1330 & 1480-1500
XGS-PON Wavelength (nm)		1260-1280 & 1575-1580
OTDR Wavelength (nm)		1625-1675
Insertion Loss (dB)	COM → GPON	≤ 0.8
Insertion Loss (dB)	COM → XGS-PON	≤ 1.2
Insertion Loss (dB)	COM → OTDR	≤ 1.2
Isolation (dB)	COM → GPON	> 30
Isolation (dB)	COM → XGS-PON	> 30
Isolation (dB)	COM → OTDR	> 15
PDL (dB)		< 0.15
Return Loss (dB)		> 45
Directivity (dB)		> 50
Max Optical Power (mW)		500
Directivity (dB)		> 50
Operating Temperature (°C)		- 5 ~ 75
Storage Temperature (°C)		- 40 ~ 85
Fiber Type		G.652.D
Standard Package Options		Part Number
Package Type	Connector Type	
LGX Module	SC/APC Adapter	FWX-CET2000
Field Module (ABS 100x80x10mm)	1 Meter 2.0mm SC/APC Connectors	FWX-CET2500
Field Module (ABS 100x80x10mm)	1 Meter 2.0mm No Connectors	FWX-CET2510
<b>Custom options available, please contact our sales department for additional options.</b>		