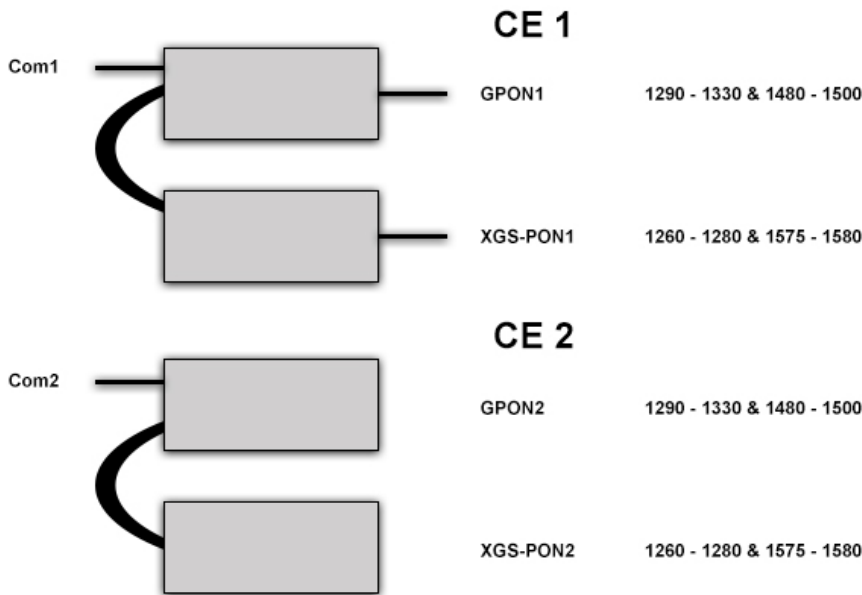


FWX-CET1xxx Series

CoEx Type 1

Fiberdyne Labs FWX-CET1xxx Series modules allow for the coexistence of GPON and XGS-PON technologies.



Module Schematic

FWX-CET1xxx Series CoEx Type 1		
Parameters		
GPON Wavelength (nm)		1290-1330 & 1480-1500
XGS-PON Wavelength (nm)		1260-1280 & 1575-1580
Insertion Loss (dB)	COM → GPON	≤ 0.8
Insertion Loss (dB)	COM → XGS-PON	≤ 1.2
Isolation (dB)	COM → GPON	> 30
Isolation (dB)	COM → XGS-PON	> 30
PDL (dB)		< 0.15
Return Loss (dB)		> 45
Directivity (dB)		> 50
Max Optical Power (mW)		500
Directivity (dB)		> 50
Operating Temperature (°C)		- 5 ~ 75
Storage Temperature (°C)		- 40 ~ 85
Fiber Type		G.652.D
Standard Package Options		Part Number
Package Type	Connector Type	
LGX Module	SC/APC Adapter	FWX-CET1000
Field Module (ABS 100x80x10mm)	1 Meter 2.0mm SC/APC Connectors	FWX-CET1500
Field Module (ABS 100x80x10mm)	1 Meter 2.0mm No Connectors	FWX-CET1510
Custom options available, please contact our sales department for additional options.		