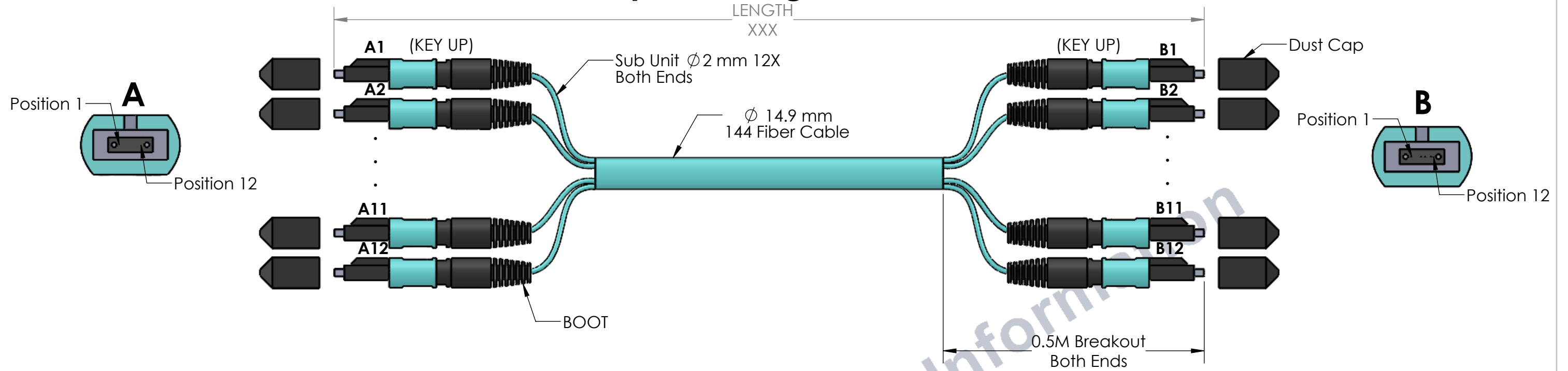


# Fiberdyne Configuration 605



## MPO Assemblies

Fiberdyne Part Number	Cable Type 50/125 OM3 (Max 100m)	Fiber Count	Connectors	Guide Pin P=Pinned(Male) NP=Non-Pinned(Female)	Insertion Loss (IL) Standard / Low Loss*
FMT-605010-XXXM	Plenum OM3	144	MPO 1x12	NP-NP	<.75
FMT-605020-XXXM	Plenum OM3	144	MPO 1x12	NP-P	<.75
FMT-605040-XXXM	Plenum OM3	144	MPO 1x12	P-P	<.75
FMT-605050-XXXM	Plenum OM3	144	MPO 1x12	NP-NP	<.35
FMT-605060-XXXM	Plenum OM3	144	MPO 1x12	NP-P	<.35
FMT-605080-XXXM	Plenum OM3	144	MPO 1x12	P-P	<.35
Fiberdyne Part Number	Cable Type 50/125 OM4 (Max 150m)	Fiber Count	Connectors	Guide Pin P=Pinned(Male) NP=Non-Pinned(Female)	Insertion Loss (IL) Standard / Low Loss*
FMT-605110-XXXM	Plenum OM4	144	MPO 1x12	NP-NP	<.75
FMT-605120-XXXM	Plenum OM4	144	MPO 1x12	NP-P	<.75
FMT-605140-XXXM	Plenum OM4	144	MPO 1x12	P-P	<.75
FMT-605150-XXXM	Plenum OM4	144	MPO 1x12	NP-NP	<.35
FMT-605160-XXXM	Plenum OM4	144	MPO 1x12	NP-P	<.35
FMT-605180-XXXM	Plenum OM4	144	MPO 1x12	P-P	<.35

\*Insertion Loss for Connector Only

## Fiberdyne Configuration 605

MPO-MPO Twelve 12 Position 12 Fiber to Twelve 12 Position 12 Fiber, MM, Type B			
Fiber Color	Position A1- A12 Left Side	Position B1 - B12 Right Side	Fiber Color
Blue	1	12	Blue
Orange	2	11	Orange
Green	3	10	Green
Brown	4	9	Brown
Grey	5	8	Grey
White	6	7	White
Red	7	6	Red
Black	8	5	Black
Yellow	9	4	Yellow
Purple	10	3	Purple
Pink	11	2	Pink
Aqua	12	1	Aqua

Fiberdyne Labs Inc. Frankfort, NY  
www.fiberdyne.com

# RoHS

FIBERDYNE LABS INC.

TITLE:  
Fiberdyne Configuration 605  
MPO-MPO Trunk, Twelve 12 Position 12 Fiber to Twelve 12 Position 12 Fiber, MM, Type B

SIZE DWG. NO. REV  
**B** 900\_12825\_001 **A**

SCALE: 1:1 SHEET 1 OF 1

**PROPRIETARY AND CONFIDENTIAL**  
THE INFORMATION CONTAINED IN THIS DRAWING IS THE SOLE PROPERTY OF Fiberdyne Labs Inc. ANY REPRODUCTION IN PART OR AS A WHOLE WITHOUT THE WRITTEN PERMISSION OF Fiberdyne Labs Inc IS PROHIBITED.

ZONE	REV.	DESCRIPTION	DATE	APPROVED
	A	ECN 24135-001	05/14/24	JAS
REVISIONS				