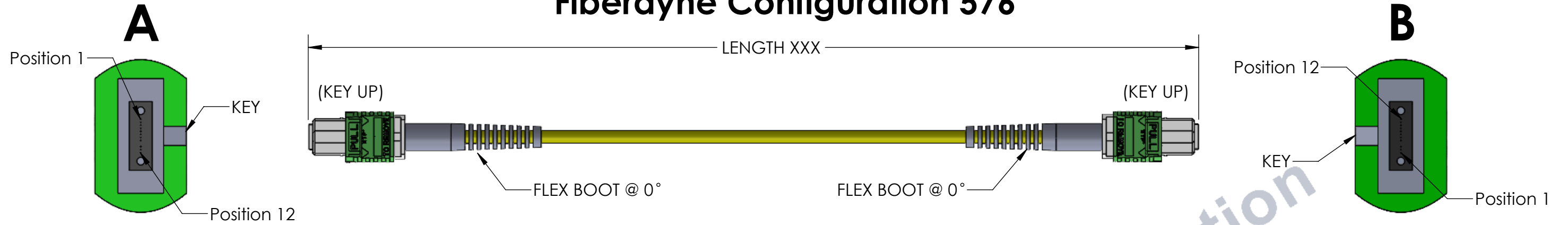


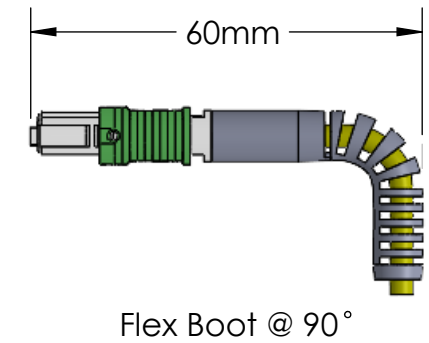
# Fiberdyne Configuration 576



Single Mode MPO Assemblies								
Fiberdyne Part Number	Fiberdyne Configuration 576	Cable Type ONFP	Fiber Type OS2	Fiber Count	End A Connector	End B Connector	Guide Pin P=Pinned (Male) NP=Non-Pinned(Female)	Insertion Loss (IL) Standard / Low Loss*
FMT-576110-XXXM	SM Laser	Round	G.657.A2	12	MPO 1x12	MPO 1x12	NP-NP	<.75
FMT-576120-XXXM	SM Laser	Round	G.657.A2	12	MPO 1x12	MPO 1x12	NP-P	<.75
FMT-576130-XXXM	SM Laser	Round	G.657.A2	12	MPO 1x12	MPO 1x12	P-NP	<.75
FMT-576140-XXXM	SM Laser	Round	G.657.A2	12	MPO 1x12	MPO 1x12	P-P	<.75
FMT-576150-XXXM	SM Laser	Round	G.657.A2	12	MPO 1x12	MPO 1x12	NP-NP	<.35
FMT-576160-XXXM	SM Laser	Round	G.657.A2	12	MPO 1x12	MPO 1x12	NP-P	<.35
FMT-576170-XXXM	SM Laser	Round	G.657.A2	12	MPO 1x12	MPO 1x12	P-NP	<.35
FMT-576180-XXXM	SM Laser	Round	G.657.A2	12	MPO 1x12	MPO 1x12	P-P	<.35

\*Insertion Loss for Connector Only

Fiberdyne Configuration 576			
MPO-MPO, 12 Position, SM, with Flex Boots, Type B			
Fiber Color Connector A	Position # Connector A	Position # Connector B	Fiber Color Connector B
Blue	1	12	Blue
Orange	2	11	Orange
Green	3	10	Green
Brown	4	9	Brown
Grey	5	8	Grey
White	6	7	White
Red	7	6	Red
Black	8	5	Black
Yellow	9	4	Yellow
Purple	10	3	Purple
Pink	11	2	Pink
Aqua	12	1	Aqua



ZONE	REV.	DESCRIPTION	DATE	APPROVED
	-3	Correct Illustration of Flex Boots	4/24/2024	FMO
	-2	Add 60mm Dimension to 90 Deg Illustration/ Add ONFP G.657.A2	4/17/2024	FMO
	-1	Original Publication	3/10/2017	FMO
REVISIONS				

Fiberdyne Labs Inc. Frankfort, NY  
www.fiberdyne.com

**PROPRIETARY AND CONFIDENTIAL**  
THE INFORMATION CONTAINED IN THIS DRAWING IS THE SOLE PROPERTY OF Fiberdyne Labs Inc. ANY REPRODUCTION IN PART OR AS A WHOLE WITHOUT THE WRITTEN PERMISSION OF Fiberdyne Labs Inc IS PROHIBITED.

## RoHS

FIBERDYNE LABS INC.		
TITLE: Fiberdyne Configuration 576 MPO-MPO, 12 Position, SM, with FLEX BOOTS Type B		
SIZE <b>B</b>	DWG. NO. 900_12600_001	REV <b>-3</b>
SCALE: 1:1		SHEET 1 OF 1