

100G DWDM Band Filter BWDM 10-Skip-0 Device Specifications
Introduction:

Fiberdyne Labs banded 10-Skip-0 filters are typically used in add/drop multiplexing applications. They reduce insertion loss, and simplify upgrades, by passing predefined DWDM channel bands in 40 channel DWDM Systems.

1. Wavelength table

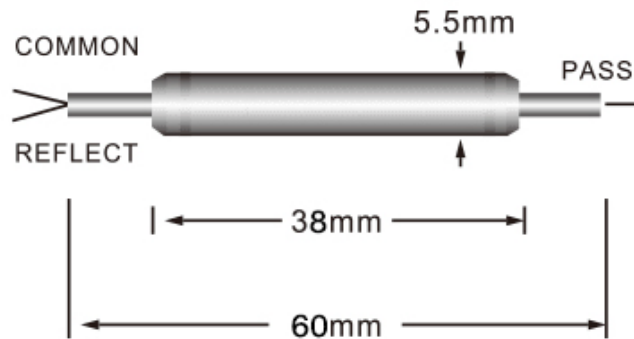
Channel	PassBand	RefBand
C20-C29	7.44	8.74
C30-C39	7.36	8.66
C40-C49	7.3	8.56
C50-C59	7.24	8.48

2. Performance Specifications

Parameters		Specifications	Unit
Operation Wavelength		1500~1600	Grid
Pass band		Wavelength Table	nm
Reflection band		Wavelength Table	nm
Center Wavelength λ_c accuracy @0.5 dB		-0.00/+0.30	nm
Pass Channel Insertion Loss		≤ 1.0	dB
Reflected Insertion Loss		≤ 0.6	dB
Pass band Flatness-Ripple		≤ 0.3	dB
Isolation	Pass Channel	≥ 15	dB
	Reflection Channel	≥ 12	dB
Polarization Dependent Loss		≤ 0.1	dB
Polarization Mode Dispersion		≤ 0.1	ps
Temperature Dependent Loss @ ITU Grid		0.003	dB/°C
Directivity		≥ 50	dB
Return Loss		≥ 45	dB
Maximum Power Handing		300	mW
Connector Type		None	/
Operating Temperature		10~+75	°C
Storage Temperature		-40~+85	°C
Tensile load		5	N
Fiber Type		G657A1 with 250um Bare Fiber	/
Fiber Length		≥ 1	m
Package size		5.5 x38 Steel Tube	mm
Fiber Color		Common Port: Black, Reflect & Pass Ports: Clear	/

Note: 1. All optical parameters guaranteed over the entire operating temperature range.

3. Mechanical Dimensions



4. Reliability & RoHS Assurance Requirement

Telcordia GR-1209 core
Telcordia GR-1221 core
RoHS6 compliance

Revision History

Revision	Notes	Authors	Checked	Approval	Date
Rev A0	New release				2020-6-15

Fiberdyne Part Number	Ordering Options
FDDW10S01291110	100GHZ DWDM 10-Skip-0 Band Filter, 1x2, CH20-29, Steel Tube, 1M 250um Fiber
FDDW10S01391110	100GHZ DWDM 10-Skip-0 Band Filter, 1x2, CH30-39, Steel Tube, 1M 250um Fiber
FDDW10S01491110	100GHZ DWDM 10-Skip-0 Band Filter, 1x2, CH40-49, Steel Tube, 1M 250um Fiber
FDDW10S01591110	100GHZ DWDM 10-Skip-0 Band Filter, 1x2, CH50-59, Steel Tube, 1M 250um Fiber