

### Introduction:

To describe the 7-port, Managed Switch, which includes six 10/100Base-TX ports and one 100Base-FX port. Management is conducted via a web-based browser. This capability includes port status/configuration, VLAN (Virtual Lan) and remote reboot.

### Product Highlights:

- 7 Port switch
- Web Management
- 6 FE 10/100 ports
- 1 FE 100FX port
- Compact design
- 802.1Q Tagged VLAN support
- Fiber connectivity

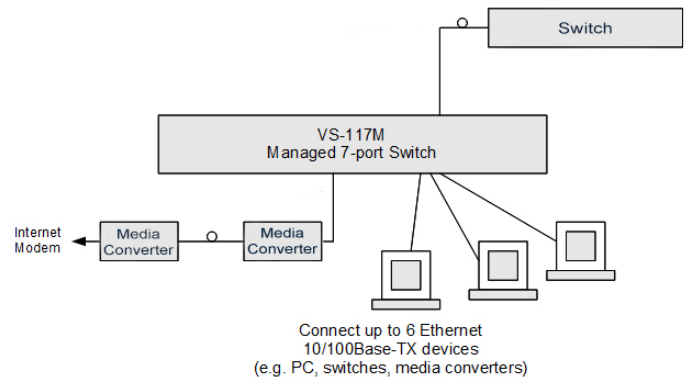
### Features:

- Complies with IEEE 802.3 10Base-T and IEEE 802.3u 100Base-TX, 100Base-FX standards
- Provide 4/6 10/100Mbps Fast Ethernet ports and 1 100Base-FX port
- Each TP port supports auto-negotiation and auto-MDI/MDI-X detection
- Supports full/half duplex operation for each TP switched port
- Support a variety of fiber connectors such as ST, SC, MT-RJ, VF-45 and LC
- Multimode and singlemode fiber cables (model dependent)
- Self learning for active MAC addresses up to 2k entries
- Store-and-forward switching that only good packets are forwarded
- Forwarding and filtering at full wire speed
- Flow control for traffic congestion
- Broadcast packet storm protection
- Comprehensive LED indicators

### Management Features:

- Web-based interface for easy management
- Static IP or DHCP supports for IP configuration
- Port Status and configuration
- VLAN configuration
- Security check for management login
- Restore factory default settings
- Remote Boot

### Conceptual Usage:



This managed switch offers six 10/100Base-TX ports plus one 100Base-FX port.

**Specifications:**

Number of Ports	6 x 10/100TX ports with 1 x 100FX port
TX Ports	IEEE 802.3 10Base-T, IEEE 802.3u 100Base-TX std. Shielded RJ-45 jacks with Auto MDI-X detection Auto-negotiation capable Speed for 10Mbps or 100Mbps Full-duplex or Half-duplex operation
FX Ports	IEEE 802.3u 100Base-FX compliant Fixed 100Mbps Full-duplex operation
Flow Control	IEEE 802.3x pause packet for Full-duplex operation Back pressure for Half-duplex operation
Cables	10Base-T: Cat. 3, 4, 5 or higher (100 meters max.) 100Base-TX: Cat. 5, 5e, or higher (100 meters max.) 100-FX: Multimode or Singlemode fiber cable
LEDs	Power Status TX ports: Speed, Lnk/Act, Duplex/Collision status FX port: Link/Act status, Duplex/Collision status
Filtering Rate	14,880 pps for Ethernet (10Base-T) 148,800 pps for Fast Ethernet (100Base-TX)
Forwarding Rate	14,880 pps for Ethernet (10Base-T) 148,800 pps for Fast Ethernet (100Base-TX)
MAC Address Table	2K entries
Ageing Time	300 seconds
VLAN Mode	Port-based VLAN, 802.1Q Tag-based VLAN
VLAN groups	16 groups (Group 0 ~ 15)
Port PVID	Full 12-bit VID, per port setting
Port Tag Mode	Tag/untag mode, per port setting
Environment	Operating Temperature: 0°C ~ 40°C (Main Device) Relative Humidity: 10% ~ 90% non-condensing (* The operating temperature range of the bundled power adapter may differ from the temperature range of the main device.)
Dimension	144 x 100 x 26 mm (WxDxH)
Power Input	+5V ~ +12VDC (+/-5%) via external power adapter
Power Consumption	5.5 W max. @+5V (DC IN)

Model	Connector	Fiber & Cable*1	Wavelength	TX Power*2	Rx Sens.	Rx Max.
VS-117MT	ST Duplex	MMF	1310nm	-20 ~ -14dBm	-32dBm	-8dBm
VS-117MC	SC Duplex	MMF	1310nm	-20 ~ -14dBm	-31dBm	0dBm
VS-117MJ	MT-RJ	MMF	1310nm	-19 ~ -14dBm	-31dBm	-14dBm
VS-117MS20	SC Duplex	SMF	1310nm	-15 ~ -7dBm	-32dBm	-3dBm
VS-117MS40	SC Duplex	SMF	1310nm	-5 ~ 0dBm	-34dBm	-3dBm
*1MMF: Multimode Fiber - 62.5/125μm, 50/125μm SMF: Singlemode Fiber - 9/125μm *2 Data for 62/125μm MMF, 9/125μm SMF						

**Ordering Information:**

Part Number	Description	Buy
VS-117MC	Managed, 7 Port Switch, Multimode, SC	Call to Order
VS-117MT	Managed, 7 Port Switch, Multimode, ST	Call to Order
VS-117MJ	Managed, 7 Port Switch, Multimode, MT-RJ	Call to Order
VS-117MS20	Managed, 7 Port Switch, Single-mode SC, 20 km	Call to Order
VS-117MS40	Managed, 7 Port Switch, Single-mode, SC, 40 km	Call to Order