

**Introduction:**

CWDM 10-SKIP 0 Band Filter

**Features:**

- - High Isolation
- - Low Insertion Loss
- - Complies with RoHS
- - Complies with Telcordia GR-1209, GR-1221

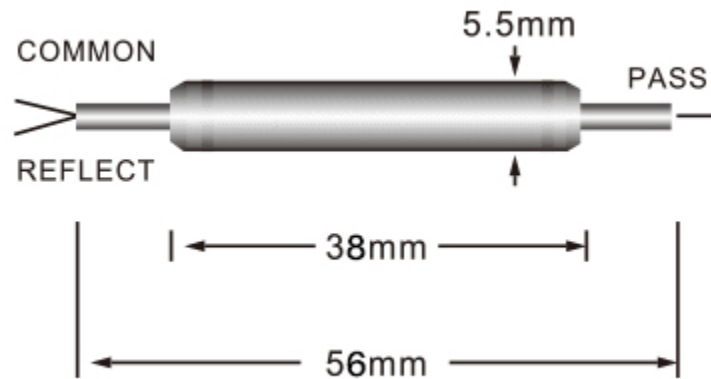
**Applications**

- - Local Area Networks
- - FTTH Networks
- - CATV



**Specifications:**

Parameters		Unit	Specification
Pass Band Reflect Band		nm	1260-1457.5
			1462.5-1620
Pass Channel	Insertion Loss (Typical)	dB	≤0.8 (0.6)
	Isolation (Typical)		>30
Reflect Channel	Insertion Loss (Typical)	dB	≤0.6 (0.4)
	Isolation (Typical)		> 15
Return Loss/Directivity (Typical)		dB	≥45/50 (50/55)
Polarization Dependent Loss		dB	≤0.1
Insertion Loss Temp. Sensitivity		dB/°C	≤0.005
Power Handling		mW	300
Operating Temperature		°C	-5~70



**Coarse Wavelength Division Multiplexing (CWDM) "Grid"**  
**Table of Commonly used CWDM Wavelengths**

Center Wavelengths *	Cisco "Colors"	Wavelength "Codes" **
1270	Gray	27
1290	Gray	29
1310	Gray	31
1330	Violet	33
1350	Blue	35
1370	Green	37
1390	Yellow	39
1410	Orange	41
1430	Red	43
1450	Brown	45
1470	Gray	47
1490	Violet	49
1510	Blue	51
1530	Green	53
1550	Yellow	55
1570	Orange	57
1590	Red	59
1610	Brown	61

Part Number	Description	Buy
FDCW10S012701110	10-SKIP 0 Band Filter	Call to Order

**Note: Filters can be customized with 900um, 2mm, 3mm jackets, as well as different connector options and packaging to meet your specific requirements.**

**Please contact the Fiberdyne Sales Department for part number and pricing for your custom requirements.**