

4

3

2

1

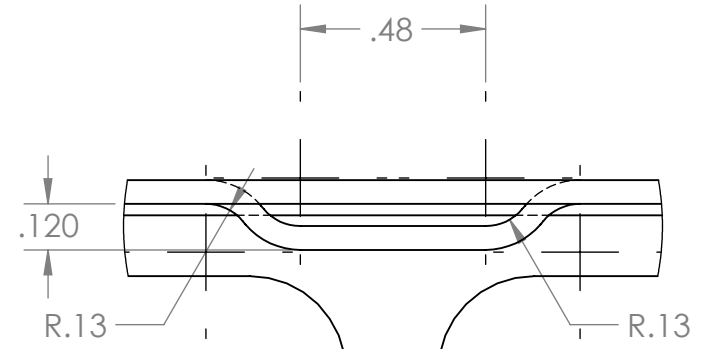
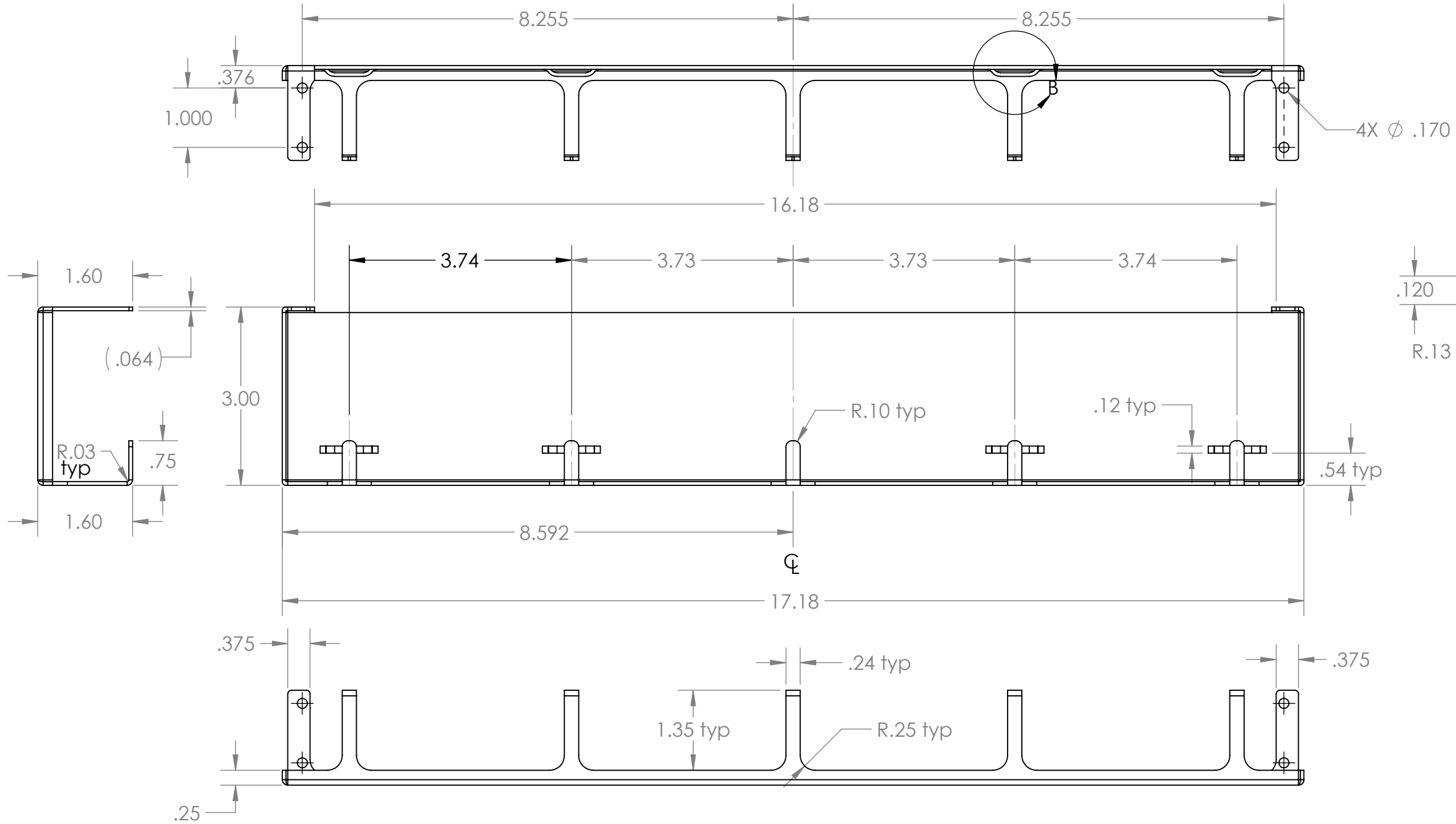
REVISIONS				
ZONE	REV.	DESCRIPTION	DATE	APPROVED

B

B

A

A



NOTES:
 MATERIAL: 5052 ALUMINUM SHEET, 14 GAUGE (0.64" THICK)
 FINISH: POWDERCOAT FINE TEXTURE BLACK (UV RESISTANT) NORTEK POTB3 OR EQUIVALENT.

PROPRIETARY AND CONFIDENTIAL
 THE INFORMATION CONTAINED IN THIS DRAWING IS THE SOLE PROPERTY OF FIBERDYNE LABS INC. ANY REPRODUCTION IN PART OR AS A WHOLE WITHOUT THE WRITTEN PERMISSION OF FIBERDYNE LABS INC IS PROHIBITED.

UNLESS OTHERWISE SPECIFIED:		NAME	DATE
DIMENSIONS ARE IN INCHES		DRAWN	FMO 03/17/21
TOLERANCES:		CHECKED	
FRACTIONAL ±		ENG APPR.	FMO 03/17/21
ANGULAR: MACH ±		MFG APPR.	
BEND ±		Q.A.	
TWO PLACE DECIMAL ±.01		COMMENTS:	
THREE PLACE DECIMAL ±.005		CAD FILE:	060_12910_001.SLDPRT
INTERPRET GEOMETRIC TOLERANCING PER:			
MATERIAL			
See Notes			
FINISH			
See Notes			
NEXT ASSY	USED ON		
APPLICATION	DO NOT SCALE DRAWING		

Fiberdyne Labs Inc.		
TITLE:		
17x13 Universal 1U, Cable Management Tray		
SIZE	DWG. NO.	REV
B	060_12910_001	
SCALE: 1:4		SHEET 1 OF 2

4

3

2

1

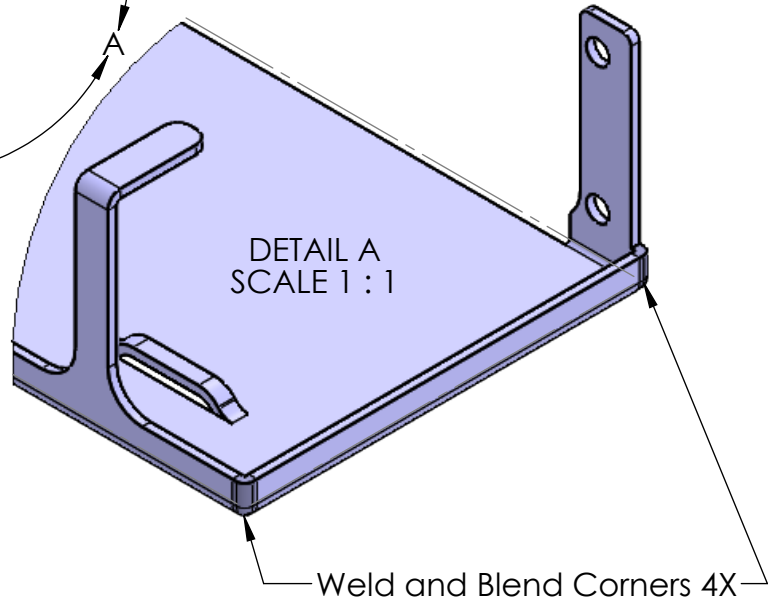
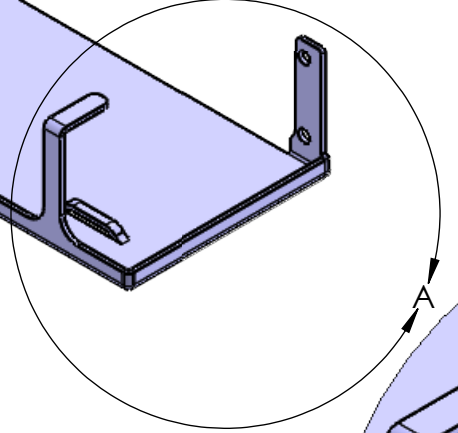
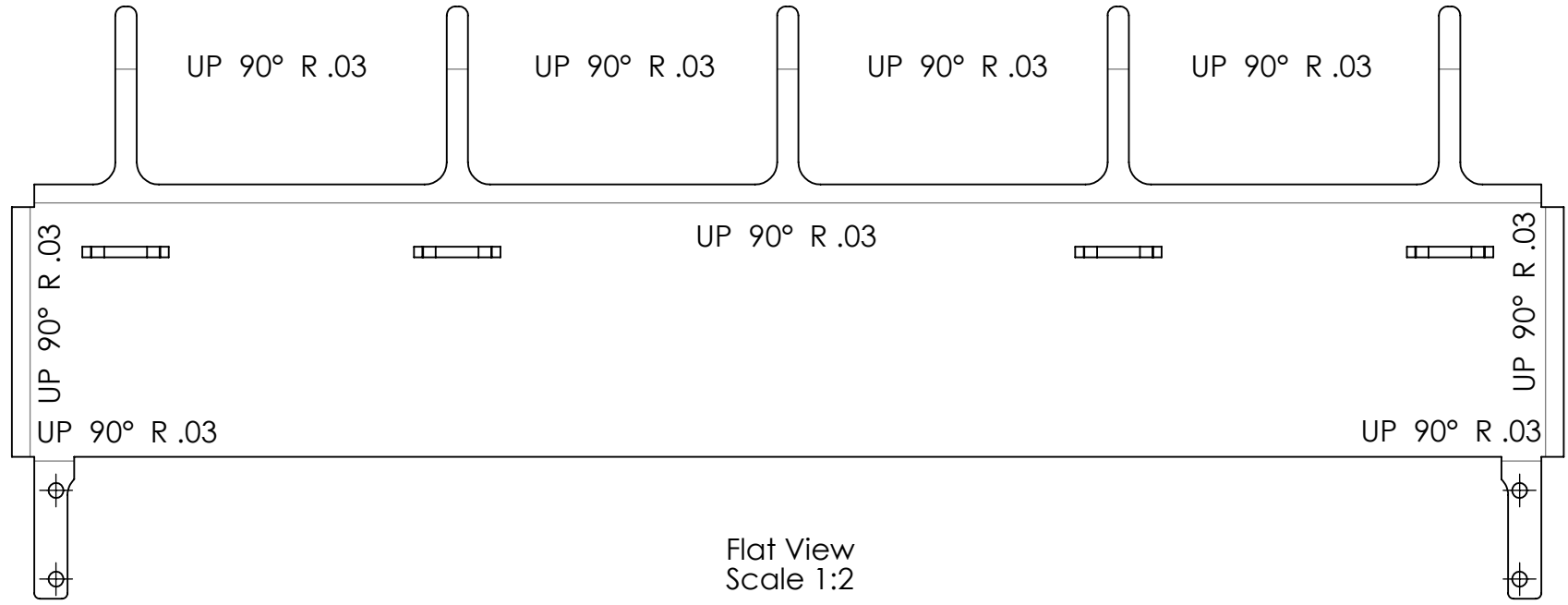
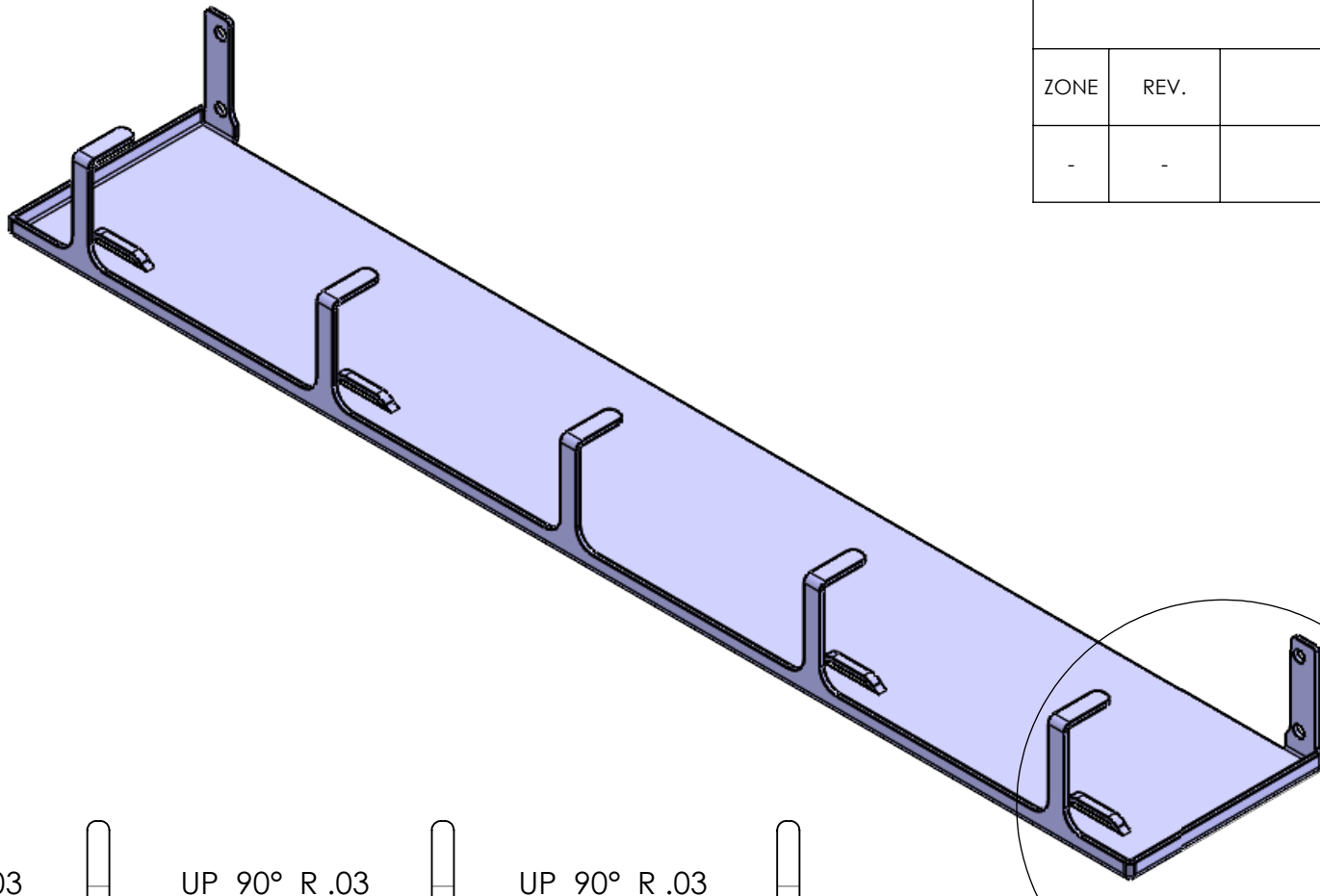
4

3

2

1

REVISIONS				
ZONE	REV.	DESCRIPTION	DATE	APPROVED
-	-	See Sheet1	-	-



B

B

A

A

PROPRIETARY AND CONFIDENTIAL
 THE INFORMATION CONTAINED IN THIS DRAWING IS THE SOLE PROPERTY OF <INSERT COMPANY NAME HERE>. ANY REPRODUCTION IN PART OR AS A WHOLE WITHOUT THE WRITTEN PERMISSION OF <INSERT COMPANY NAME HERE> IS PROHIBITED.

		UNLESS OTHERWISE SPECIFIED:	NAME	DATE	Fiberdyne Labs Inc.	
		DIMENSIONS ARE IN INCHES TOLERANCES: FRACTIONAL ± ANGULAR: MACH ± BEND ± TWO PLACE DECIMAL ± THREE PLACE DECIMAL ±	DRAWN	FMO 03/17/21		
		INTERPRET GEOMETRIC TOLERANCING PER:	CHECKED		SIZE DWG. NO. REV B 060_12910_001	
		MATERIAL	ENG APPR.	FMO 03/17/21		
NEXT ASSY	USED ON	FINISH	MFG APPR.			
APPLICATION		DO NOT SCALE DRAWING	Q.A.			
			COMMENTS:			

4

3

2

1