

4

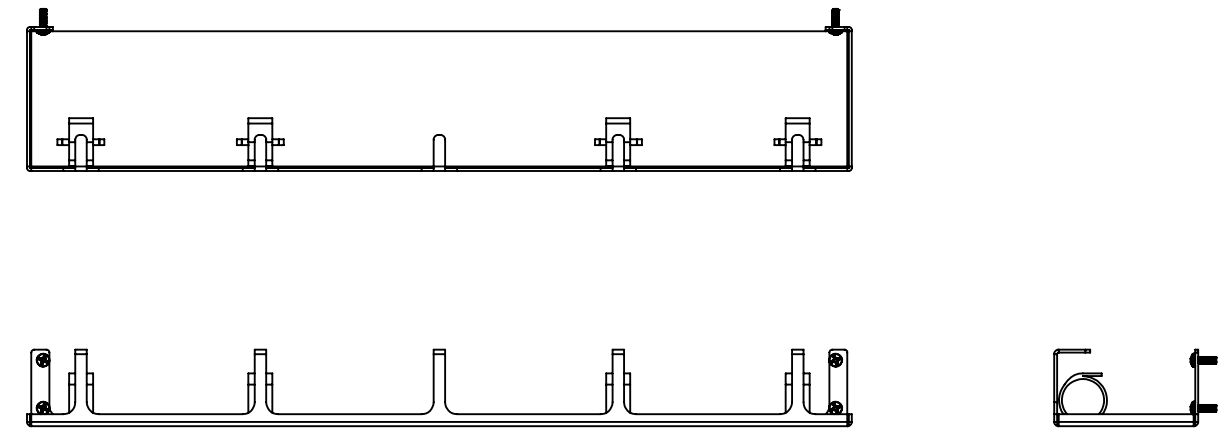
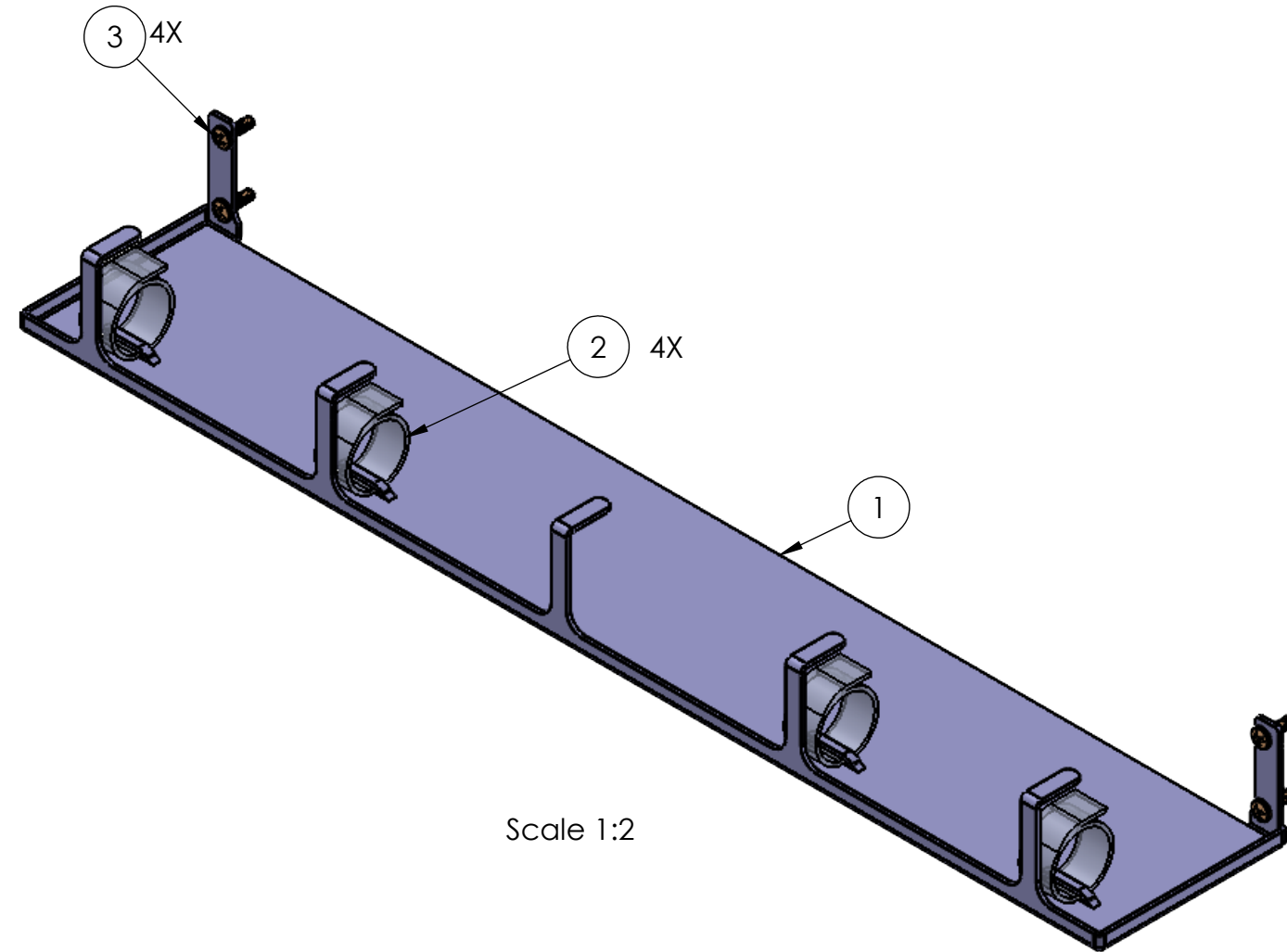
3

2

1

ITEM NO.	PART NUMBER	REV	DESCRIPTION	QTY.	UM
1	060_12910_001		17x13 Universal 1U, Cable Management Tray	1	ea
2	S-13671		1/2" Velcro (uline S-13671)	4	ea
3	91772A149		6-32 x 7/16 PPH Screw (mcmaster 91772A149)	4	ea

REVISIONS				
ZONE	REV.	DESCRIPTION	DATE	APPROVED
	-1	Corrected Description Item#3	3/22/2021	FMO



**PROPRIETARY AND CONFIDENTIAL**  
 THE INFORMATION CONTAINED IN THIS DRAWING IS THE SOLE PROPERTY OF FIBERDYNE LABS INC. ANY REPRODUCTION IN PART OR AS A WHOLE WITHOUT THE WRITTEN PERMISSION OF FIBERDYNE LABS INC IS PROHIBITED.

		UNLESS OTHERWISE SPECIFIED:		NAME	DATE	<b>Fiberdyne Labs Inc.</b>			
		DIMENSIONS ARE IN INCHES TOLERANCES: FRACTIONAL ± ANGULAR: MACH ±    BEND ± TWO PLACE DECIMAL ±.01 THREE PLACE DECIMAL ±.005		DRAWN	FMO			03/12/21	
		INTERPRET GEOMETRIC TOLERANCING PER:		CHECKED			TITLE: <b>FA Universal 1U Fiber Mgmt Kit</b>		
		MATERIAL See BOM		ENG APPR.	FMO	03/12/21			
		FINISH		MFG APPR.					
NEXT ASSY	USED ON			Q.A.			SIZE	DWG. NO.	REV
APPLICATION		DO NOT SCALE DRAWING		COMMENTS:			<b>B</b>	120_12913_001	<b>-1</b>
				CAD FILE:			SCALE: 1:4		SHEET 1 OF 1
				120_12913_001.SLDASM					

4

3

2

1

B

B

A

A