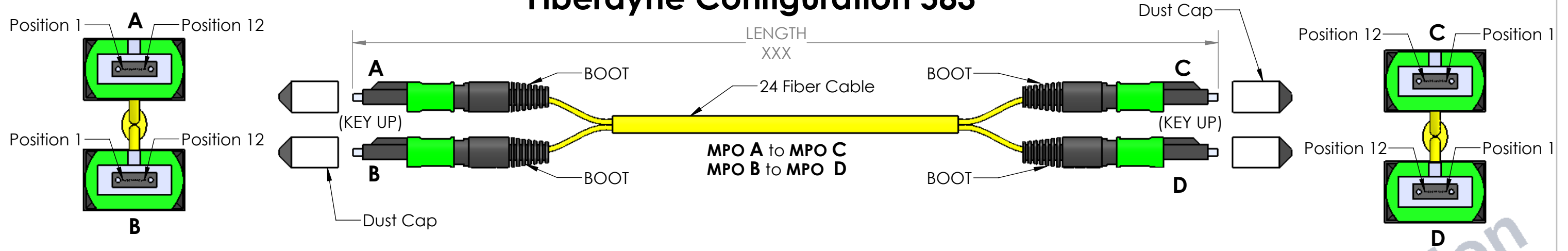


Fiberdyne Configuration 583



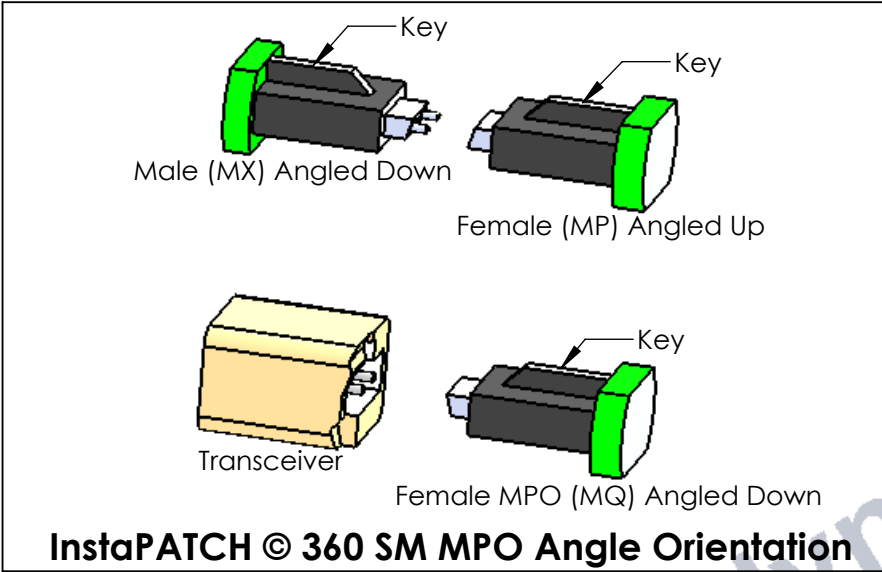
Single Mode MPO Assemblies **

Fiberdyne Part Number	Fiberdyne Configuration 583	Cable Type OS2	Fiber Count	Connector End A and B	Connector End C and D	Guide Pin P=Pinned(Male) NP=Non-Pinned(Female)	Angle	Insertion Loss (IL) Standard / Low Loss*
FMT-583010-XXXM	SM Trunk Cable	OS2 Round	12	MPO 1x12	MPO 1x12	NP-NP	Female Angle UP to Female Angled Up (MP-MP)	<.35
FMT-583030-XXXM	SM Cross-Connect Cable	OS2 Round	12	MPO 1x12	MPO 1x12	P-P	Male Angle Down to Male Angle Down (MX-MX)	<.35
FMT-583050-XXXM	SM ULL Trunk Cable	OS2 Round	12	MPO 1x12	MPO 1x12	P-P	Male Angle UP to Male Angle Up	<.35
FMT-583070-XXXM	SM ULL Cross-Connect Cable	OS2 Round	12	MPO 1x12	MPO 1x12	NP-NP	Female Angle Down to Female Angle Down	<.35

Fiberdyne Configuration 583

MPO-MPO, SM, Trunk, Two 12 Pin 12 Fiber to Two 12 Pin 12 Fiber (Commscope © InstaPATCH © 360)			
Fiber Color	Position # Connector A B Left Side	Position # Connector C D Right Side	Fiber Color
Blue	1	12	Blue
Orange	2	11	Orange
Green	3	10	Green
Brown	4	9	Brown
Grey	5	8	Grey
White	6	7	White
Red	7	6	Red
Black	8	5	Black
Yellow	9	4	Yellow
Purple	10	3	Purple
Pink	11	2	Pink
Aqua	12	1	Aqua

*Insertion Loss for Connector Only



InstaPATCH © 360 SM MPO Angle Orientation

**** Compatible with Commscope Systimax InstaPATCH © 360 and Systimax Ultra-Low-Loss (ULL)**

Commscope Systimax © and InstaPATCH © 360 Are Registered Trademarks of Commscope Inc.

RoHS

ZONE	REV.	DESCRIPTION	DATE	APPROVED
	-2	Delete fmt385020, 040,060	9/6/2018	FMO
	-1	Original Publication	4/10/2018	FMO
REVISIONS				

Fiberdyne Labs Inc. Frankfort, NY
www.fiberdyne.com

PROPRIETARY AND CONFIDENTIAL
THE INFORMATION CONTAINED IN THIS DRAWING IS THE SOLE PROPERTY OF Fiberdyne Labs Inc. ANY REPRODUCTION IN PART OR AS A WHOLE WITHOUT THE WRITTEN PERMISSION OF Fiberdyne Labs Inc IS PROHIBITED.

FIBERDYNE LABS INC.		
TITLE: Fiberdyne Configuration 583 MPO-MPO, SM, Trunk, Two 12 Pin 12 Fiber to Two 12 Pin 12 Fiber (Commscope © InstaPATCH © 360)		
SIZE B	DWG. NO. 900_12704_001	REV -2
SCALE: 1:1		SHEET 1 OF 1