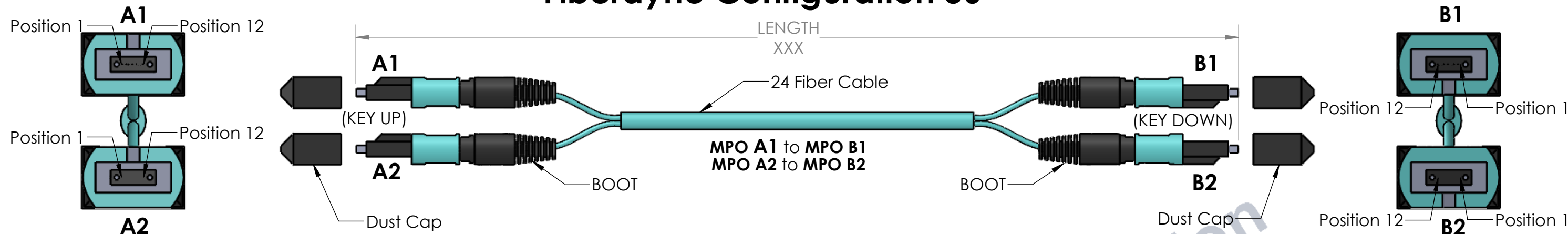


Fiberdyne Configuration 56



MPO Assemblies

Fiberdyne Part Number	Fiberdyne Configuration 56	Cable Type 50/125 OM3 (Max 100m)	Fiber Count	Connectors	Guide Pin P=Pinned(Male) NP=Non-Pinned(Female)	Insertion Loss (IL) Standard / Low Loss*
FMT-056010-XXXM	10GBASE-SR	Round Plenum OM3	24	MPO 1x12	NP-NP	<.75
FMT-056020-XXXM	10GBASE-SR	Round Plenum OM3	24	MPO 1x12	NP-P	<.75
FMT-056030-XXXM	10GBASE-SR	Round Plenum OM3	24	MPO 1x12	P-NP	<.75
FMT-056040-XXXM	10GBASE-SR	Round Plenum OM3	24	MPO 1x12	P-P	<.75
FMT-056050-XXXM	10GBASE-SR	Round Plenum OM3	24	MPO 1x12	NP-NP	<.35
FMT-056060-XXXM	10GBASE-SR	Round Plenum OM3	24	MPO 1x12	NP-P	<.35
FMT-056070-XXXM	10GBASE-SR	Round Plenum OM3	24	MPO 1x12	P-NP	<.35
FMT-056080-XXXM	10GBASE-SR	Round Plenum OM3	24	MPO 1x12	P-P	<.35
Fiberdyne Part Number	Fiberdyne Configuration 56	Cable Type 50/125 OM4 (Max 150m)	Fiber Count	End A Connector	Guide Pin P=Pinned(Male) NP=Non-Pinned(Female)	Insertion Loss (IL) Standard / Low Loss*
FMT-056110-XXXM	10GBASE-SR	Round Plenum OM4	24	MPO 1x12	NP-NP	<.75
FMT-056120-XXXM	10GBASE-SR	Round Plenum OM4	24	MPO 1x12	NP-P	<.75
FMT-056130-XXXM	10GBASE-SR	Round Plenum OM4	24	MPO 1x12	P-NP	<.75
FMT-056140-XXXM	10GBASE-SR	Round Plenum OM4	24	MPO 1x12	P-P	<.75
FMT-056150-XXXM	10GBASE-SR	Round Plenum OM4	24	MPO 1x12	NP-NP	<.35
FMT-056160-XXXM	10GBASE-SR	Round Plenum OM4	24	MPO 1x12	NP-P	<.35
FMT-056170-XXXM	10GBASE-SR	Round Plenum OM4	24	MPO 1x12	P-NP	<.35
FMT-056180-XXXM	10GBASE-SR	Round Plenum OM4	24	MPO 1x12	P-P	<.35

*Insertion Loss for Connector Only

ZONE	REV.	DESCRIPTION	DATE	APPROVED
	C	ECN 24134-001	5/13/2024	JAS
	B	ECN 24120-001	4/29/2024	FMO
	A	ECN 14006-001 (original release)	1/8/2014	CFO
REVISIONS				

Fiberdyne Configuration 56

MPO-MPO, Trunk, Two 12 Position 12 Fiber MPO to Two 12 Position 12 Fiber MPO, Type A			
Fiber Color	Position # Connector A1 Left Side	Position # Connector B1 Right Side	Fiber Color
Blue	1	1	Blue
Orange	2	2	Orange
Green	3	3	Green
Brown	4	4	Brown
Grey	5	5	Grey
White	6	6	White
Red	7	7	Red
Black	8	8	Black
Yellow	9	9	Yellow
Purple	10	10	Purple
Pink	11	11	Pink
Aqua	12	12	Aqua
Fiber Color	Position # Connector A2 Left Side	Position # Connector B2 Right Side	Fiber Color
Blue	1	1	Blue
Orange	2	2	Orange
Green	3	3	Green
Brown	4	4	Brown
Grey	5	5	Grey
White	6	6	White
Red	7	7	Red
Black	8	8	Black
Yellow	9	9	Yellow
Purple	10	10	Purple
Pink	11	11	Pink
Aqua	12	12	Aqua

Fiberdyne Labs Inc. Frankfort, NY
www.fiberdyne.com

PROPRIETARY AND CONFIDENTIAL
THE INFORMATION CONTAINED IN THIS DRAWING IS THE SOLE PROPERTY OF Fiberdyne Labs Inc. ANY REPRODUCTION IN PART OR AS A WHOLE WITHOUT THE WRITTEN PERMISSION OF Fiberdyne Labs Inc IS PROHIBITED.

RoHS

FIBERDYNE LABS INC.		
TITLE: Fiberdyne Configuration 56 MPO-MPO, Trunk, Two 12 Position 12 Fiber to Two 12 Position 12 Fiber, Type A		
SIZE B	DWG. NO. 075-11781-001	REV C
SCALE: 1:1	SHEET 1 OF 1	