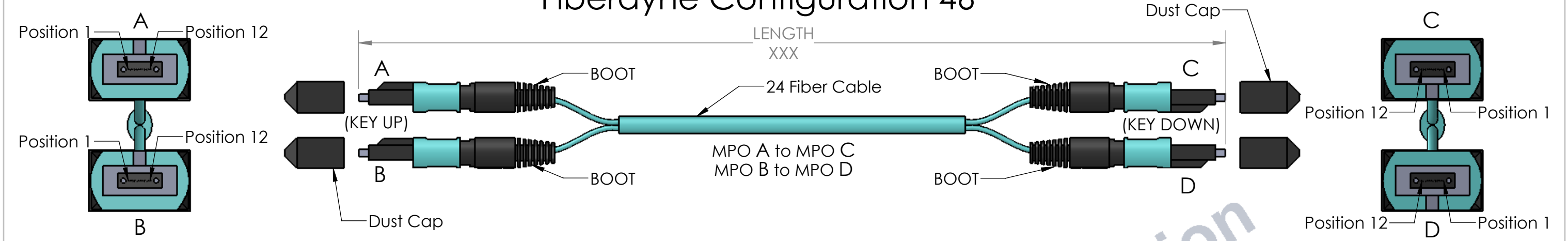


Fiberdyne Configuration 46



40Gb MPO Assemblies

Fiberdyne Part Number	Fiberdyne Configuration 46	Cable Type 50/125 OM3 (Max 100m)	Fiber Count	End A Connector	End B Connector	End C Connector	End D Connector	Guide Pin P=Pinned(Male) NP=Non-Pinned(Female)	Insertion Loss (IL) Standard / Low Loss*
FMT-046010-XXXM	40GBASE-SR4	3mm Round Plenum OM3	24	MPO 1x12	MPO 1x12	MPO 1x12	MPO 1x12	NP-NP	<.75
FMT-046020-XXXM	40GBASE-SR4	3mm Round Plenum OM3	24	MPO 1x12	MPO 1x12	MPO 1x12	MPO 1x12	NP-P	<.75
FMT-046030-XXXM	40GBASE-SR4	3mm Round Plenum OM3	24	MPO 1x12	MPO 1x12	MPO 1x12	MPO 1x12	P-NP	<.75
FMT-046040-XXXM	40GBASE-SR4	3mm Round Plenum OM3	24	MPO 1x12	MPO 1x12	MPO 1x12	MPO 1x12	P-P	<.75
FMT-046050-XXXM	40GBASE-SR4	3mm Round Plenum OM3	24	MPO 1x12	MPO 1x12	MPO 1x12	MPO 1x12	NP-NP	<.35
FMT-046060-XXXM	40GBASE-SR4	3mm Round Plenum OM3	24	MPO 1x12	MPO 1x12	MPO 1x12	MPO 1x12	NP-P	<.35
FMT-046070-XXXM	40GBASE-SR4	3mm Round Plenum OM3	24	MPO 1x12	MPO 1x12	MPO 1x12	MPO 1x12	P-NP	<.35
FMT-046080-XXXM	40GBASE-SR4	3mm Round Plenum OM3	24	MPO 1x12	MPO 1x12	MPO 1x12	MPO 1x12	P-P	<.35
Fiberdyne Part Number	Fiberdyne Configuration 46	Cable Type 50/125 OM4 (Max 150m)	Fiber Count	End A Connector	End B Connector	End C Connector	End D Connector	Guide Pin P=Pinned(Male) NP=Non-Pinned(Female)	Insertion Loss (IL) Standard / Low Loss*
FMT-046110-XXXM	40GBASE-SR4	3mm Round Plenum OM4	24	MPO 1x12	MPO 1x12	MPO 1x12	MPO 1x12	NP-NP	<.75
FMT-046120-XXXM	40GBASE-SR4	3mm Round Plenum OM4	24	MPO 1x12	MPO 1x12	MPO 1x12	MPO 1x12	NP-P	<.75
FMT-046130-XXXM	40GBASE-SR4	3mm Round Plenum OM4	24	MPO 1x12	MPO 1x12	MPO 1x12	MPO 1x12	P-NP	<.75
FMT-046140-XXXM	40GBASE-SR4	3mm Round Plenum OM4	24	MPO 1x12	MPO 1x12	MPO 1x12	MPO 1x12	P-P	<.75
FMT-046150-XXXM	40GBASE-SR4	3mm Round Plenum OM4	24	MPO 1x12	MPO 1x12	MPO 1x12	MPO 1x12	NP-NP	<.35
FMT-046160-XXXM	40GBASE-SR4	3mm Round Plenum OM4	24	MPO 1x12	MPO 1x12	MPO 1x12	MPO 1x12	NP-P	<.35
FMT-046170-XXXM	40GBASE-SR4	3mm Round Plenum OM4	24	MPO 1x12	MPO 1x12	MPO 1x12	MPO 1x12	P-NP	<.35
FMT-046180-XXXM	40GBASE-SR4	3mm Round Plenum OM4	24	MPO 1x12	MPO 1x12	MPO 1x12	MPO 1x12	P-P	<.35

*Insertion Loss for Connector Only

Fiberdyne Configuration 46

MPO-MPO, 40G, Trunk, Two 12 Pin 8 Fiber to Two 12 Pin 8 Fiber, Method A

Fiber Color	Lane Assignment Connector A	Position # Connector A Left Side	Position # Connector C Right Side	Lane Assignment Connector C	Fiber Color
Blue	TX1	1	1	RX1	Blue
Orange	TX2	2	2	RX2	Orange
Green	TX3	3	3	RX3	Green
Brown	TX4	4	4	RX4	Brown
Grey	Not Used	5	5	Not Used	Grey
White	Not Used	6	6	Not Used	White
Red	Not Used	7	7	Not Used	Red
Black	Not Used	8	8	Not Used	Black
Yellow	RX4	9	9	TX4	Yellow
Purple	RX3	10	10	TX3	Purple
Pink	RX2	11	11	TX2	Pink
Aqua	RX1	12	12	TX1	Aqua
Fiber Color	Lane Assignment Connector B	Position # Connector B Left Side	Position # Connector D Right Side	Lane Assignment Connector D	Fiber Color
Blue	TX1	1	1	RX1	Blue
Orange	TX2	2	2	RX2	Orange
Green	TX3	3	3	RX3	Green
Brown	TX4	4	4	RX4	Brown
Grey	Not Used	5	5	Not Used	Grey
White	Not Used	6	6	Not Used	White
Red	Not Used	7	7	Not Used	Red
Black	Not Used	8	8	Not Used	Black
Yellow	RX4	9	9	TX4	Yellow
Purple	RX3	10	10	TX3	Purple
Pink	RX2	11	11	TX2	Pink
Aqua	RX1	12	12	TX1	Aqua

RoHS

FIBERDYNE LABS INC.

TITLE: Fiberdyne Configuration 46
MPO-MPO, 40G, Trunk, Two 12 Pin 8 Fiber to Two 12 Pin 8 Fiber
Method A

SIZE B	DWG. NO. 075-11771-001	REV A
------------------	---------------------------	----------

SCALE: 1:1 ECR: 14006-001 SHEET 1 OF 1

Fiberdyne Labs Inc. Frankfort, NY
www.fiberdyne.com

PROPRIETARY AND CONFIDENTIAL
THE INFORMATION CONTAINED IN THIS DRAWING IS THE SOLE PROPERTY OF Fiberdyne Labs Inc. ANY REPRODUCTION IN PART OR AS A WHOLE WITHOUT THE WRITTEN PERMISSION OF Fiberdyne Labs Inc IS PROHIBITED.