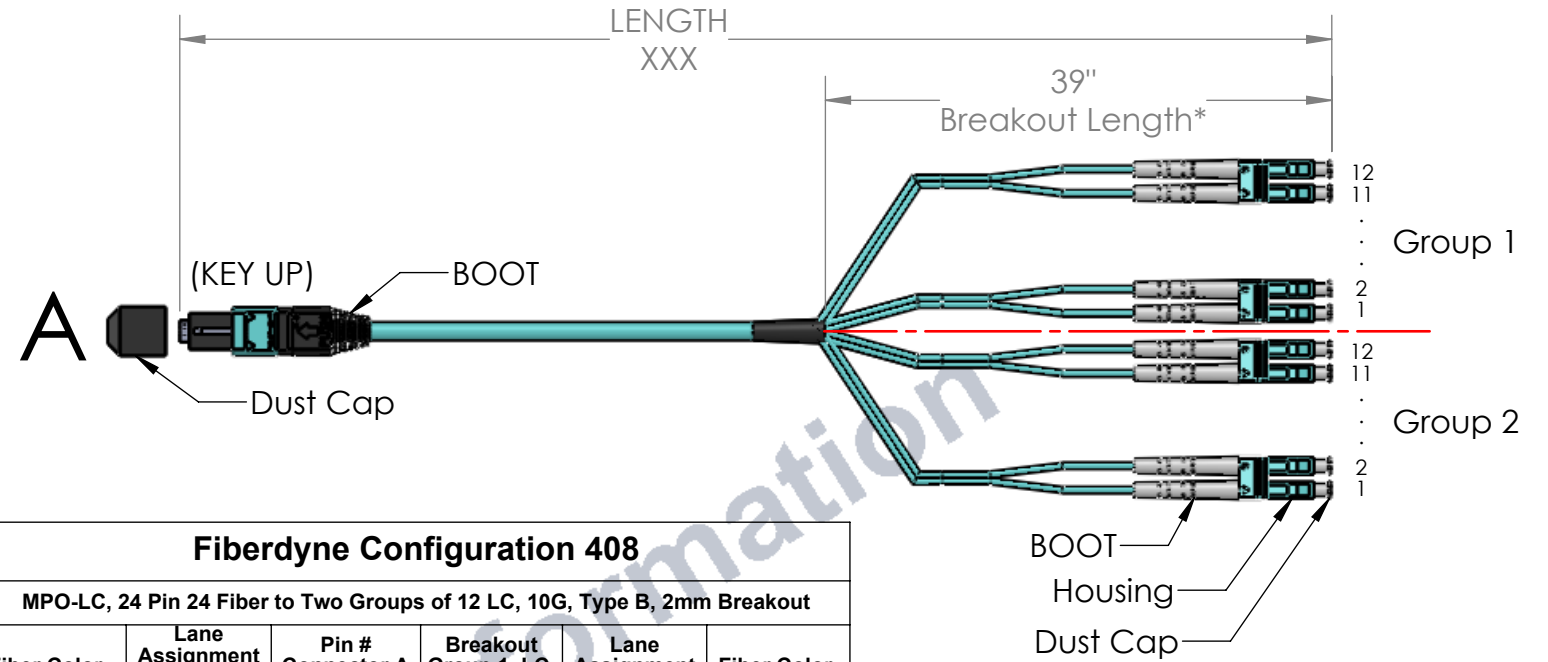
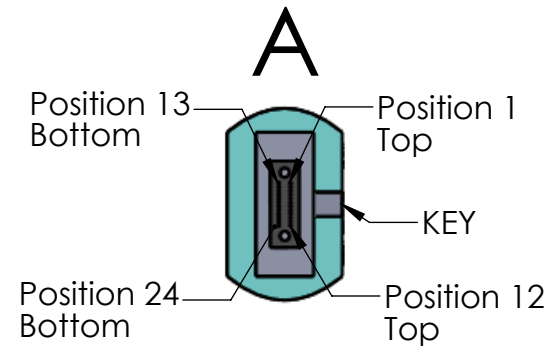


# Fiberdyne Configuration 408



## 10Gb MPO Assemblies

Fiberdyne Part Number	Fiberdyne Configuration 408	Cable Type 50/125 OM3 (Max 100m)	Fiber Count	End A Connector	End B Connector	Guide Pin P=Pinned(Male) NP=Non-Pinned(Female)	Insertion Loss (IL) Standard / Low Loss*
FMT-408010-XXXM	10GBASE-SR	3mm Round Plenum OM3	24	MPO 1x12	Duplex LC	NP-NP	<.75
FMT-408020-XXXM	10GBASE-SR	3mm Round Plenum OM3	24	MPO 1x12	Duplex LC	NP-P	<.75
FMT-408030-XXXM	10GBASE-SR	3mm Round Plenum OM3	24	MPO 1x12	Duplex LC	P-NP	<.75
FMT-408040-XXXM	10GBASE-SR	3mm Round Plenum OM3	24	MPO 1x12	Duplex LC	P-P	<.75
FMT-408050-XXXM	10GBASE-SR	3mm Round Plenum OM3	24	MPO 1x12	Duplex LC	NP-NP	<.35
FMT-408060-XXXM	10GBASE-SR	3mm Round Plenum OM3	24	MPO 1x12	Duplex LC	NP-P	<.35
FMT-408070-XXXM	10GBASE-SR	3mm Round Plenum OM3	24	MPO 1x12	Duplex LC	P-NP	<.35
FMT-408080-XXXM	10GBASE-SR	3mm Round Plenum OM3	24	MPO 1x12	Duplex LC	P-P	<.35
Fiberdyne Part Number	Fiberdyne Configuration 408	Cable Type 50/125 OM4 (Max 150m)	Fiber Count	End A Connector	End B Connector	Guide Pin P=Pinned(Male) NP=Non-Pinned(Female)	Insertion Loss (IL) Standard / Low Loss*
FMT-408110-XXXM	10GBASE-SR	3mm Round Plenum OM4	24	MPO 1x12	Duplex LC	NP-NP	<.75
FMT-408120-XXXM	10GBASE-SR	3mm Round Plenum OM4	24	MPO 1x12	Duplex LC	NP-P	<.75
FMT-408130-XXXM	10GBASE-SR	3mm Round Plenum OM4	24	MPO 1x12	Duplex LC	P-NP	<.75
FMT-408140-XXXM	10GBASE-SR	3mm Round Plenum OM4	24	MPO 1x12	Duplex LC	P-P	<.75
FMT-408150-XXXM	10GBASE-SR	3mm Round Plenum OM4	24	MPO 1x12	Duplex LC	NP-NP	<.35
FMT-408160-XXXM	10GBASE-SR	3mm Round Plenum OM4	24	MPO 1x12	Duplex LC	NP-P	<.35
FMT-408170-XXXM	10GBASE-SR	3mm Round Plenum OM4	24	MPO 1x12	Duplex LC	P-NP	<.35
FMT-408180-XXXM	10GBASE-SR	3mm Round Plenum OM4	24	MPO 1x12	Duplex LC	P-P	<.35

\*Insertion Loss for Connector Only

## Fiberdyne Configuration 408

MPO-LC, 24 Pin 24 Fiber to Two Groups of 12 LC, 10G, Type B, 2mm Breakout					
Fiber Color	Lane Assignment Connector A Top	Pin # Connector A Top	Breakout Group 1, LC, Pin Polarity	Lane Assignment Group 1	Fiber Color
Blue	TX1	1	12	RX1	Blue
Orange	RX1	2	11	TX1	Orange
Green	TX2	3	10	RX2	Green
Brown	RX2	4	9	TX2	Brown
Grey	TX3	5	8	RX3	Grey
White	RX3	6	7	TX3	White
Red	TX4	7	6	RX4	Red
Black	RX4	8	5	TX4	Black
Yellow	TX5	9	4	RX5	Yellow
Purple	RX5	10	3	TX5	Purple
Pink	TX6	11	2	RX6	Pink
Aqua	RX6	12	1	TX6	Aqua
Fiber Color	Lane Assignment Connector A Bottom	Pin # Connector A Bottom	Breakout Group 2, LC, Pin Polarity	Lane Assignment Group 2	Fiber Color
Blue	TX1	1	12	RX1	Blue
Orange	RX1	2	11	TX1	Orange
Green	TX2	3	10	RX2	Green
Brown	RX2	4	9	TX2	Brown
Grey	TX3	5	8	RX3	Grey
White	RX3	6	7	TX3	White
Red	TX4	7	6	RX4	Red
Black	RX4	8	5	TX4	Black
Yellow	TX5	9	4	RX5	Yellow
Purple	RX5	10	3	TX5	Purple
Pink	TX6	11	2	RX6	Pink
Aqua	RX6	12	1	TX6	Aqua

\* -39" standard breakout length, custom lengths available  
-Custom Connectors also available

# RoHS

FIBERDYNE LABS INC.

TITLE: Fiberdyne Configuration 408  
MPO-LC, 24 Pin 24 Fiber to Two Groups of 12 LC, 10G  
Type B

SIZE DWG. NO. REV  
**B** 075-12152-001 A

SCALE: 1:1 ECR: 14006-001 SHEET 1 OF 1

Fiberdyne Labs Inc. Frankfort, NY  
www.fiberdyne.com

PROPRIETARY AND CONFIDENTIAL  
THE INFORMATION CONTAINED IN THIS DRAWING IS THE SOLE PROPERTY OF Fiberdyne Labs Inc. ANY REPRODUCTION IN PART OR AS A WHOLE WITHOUT THE WRITTEN PERMISSION OF Fiberdyne Labs Inc IS PROHIBITED.