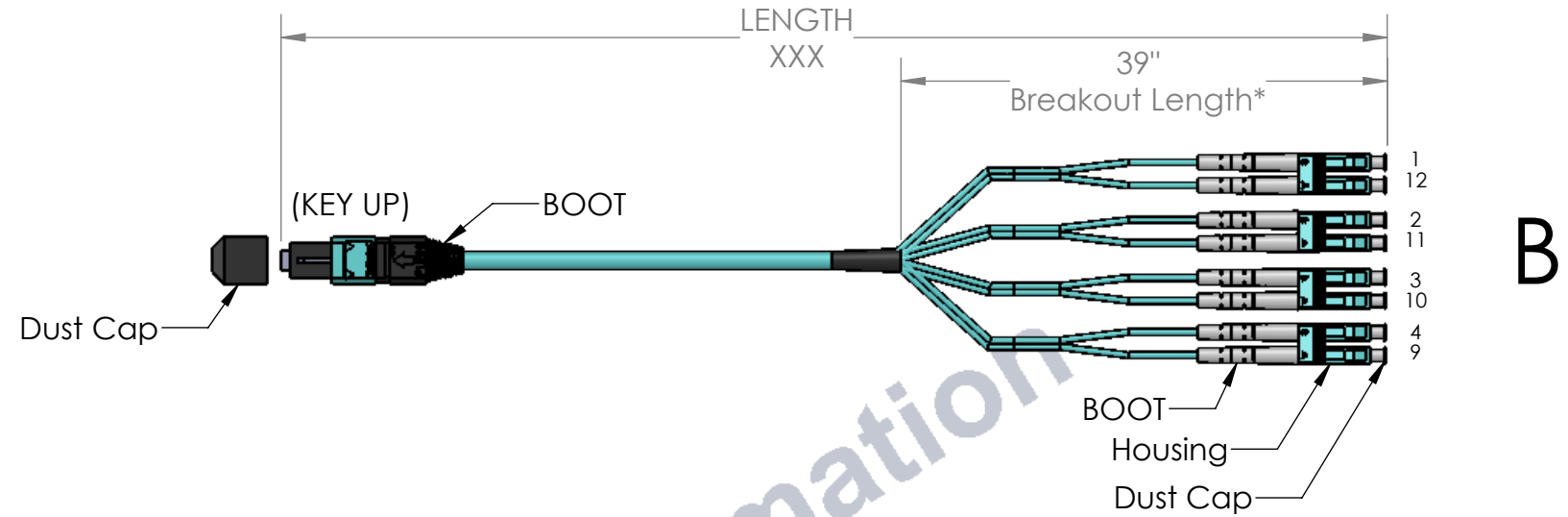
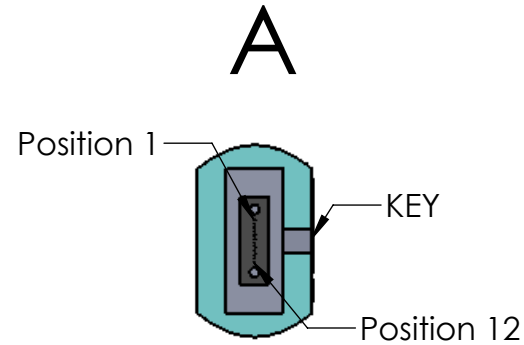


Fiberdyne Configuration 28



40Gb MPO Assemblies

Fiberdyne Part Number	Fiberdyne Configuration 28	Cable Type 50/125 OM3 (Max 100m)	Fiber Count	End A Connector	End B Connector	Guide Pin P=Pinned(Male) NP=Non-Pinned(Female)	Insertion Loss (IL) Standard / Low Loss
FMT-028010-XXXM	40GBASE-SR4	3mm Round Plenum OM3	12	MPO 1x12	LC 8x12	NP-NP	<.75
FMT-028020-XXXM	40GBASE-SR4	3mm Round Plenum OM3	12	MPO 1x12	LC 8x12	NP-P	<.75
FMT-028030-XXXM	40GBASE-SR4	3mm Round Plenum OM3	12	MPO 1x12	LC 8x12	P-NP	<.75
FMT-028040-XXXM	40GBASE-SR4	3mm Round Plenum OM3	12	MPO 1x12	LC 8x12	P-P	<.75
FMT-028050-XXXM	40GBASE-SR4	3mm Round Plenum OM3	12	MPO 1x12	LC 8x12	NP-NP	<.35
FMT-028060-XXXM	40GBASE-SR4	3mm Round Plenum OM3	12	MPO 1x12	LC 8x12	NP-P	<.35
FMT-028070-XXXM	40GBASE-SR4	3mm Round Plenum OM3	12	MPO 1x12	LC 8x12	P-NP	<.35
FMT-028080-XXXM	40GBASE-SR4	3mm Round Plenum OM3	12	MPO 1x12	LC 8x12	P-P	<.35
Fiberdyne Part Number	Fiberdyne Configuration 28	Cable Type 50/125 OM4 (Max 150m)	Fiber Count	End A Connector	End B Connector	Guide Pin P=Pinned(Male) NP=Non-Pinned(Female)	Insertion Loss (IL) Standard / Low Loss
FMT-028110-XXXM	40GBASE-SR4	3mm Round Plenum OM4	12	MPO 1x12	LC 8x12	NP-NP	<.75
FMT-028120-XXXM	40GBASE-SR4	3mm Round Plenum OM4	12	MPO 1x12	LC 8x12	NP-P	<.75
FMT-028130-XXXM	40GBASE-SR4	3mm Round Plenum OM4	12	MPO 1x12	LC 8x12	P-NP	<.75
FMT-028140-XXXM	40GBASE-SR4	3mm Round Plenum OM4	12	MPO 1x12	LC 8x12	P-P	<.75
FMT-028150-XXXM	40GBASE-SR4	3mm Round Plenum OM4	12	MPO 1x12	LC 8x12	NP-NP	<.35
FMT-028160-XXXM	40GBASE-SR4	3mm Round Plenum OM4	12	MPO 1x12	LC 8x12	NP-P	<.35
FMT-028170-XXXM	40GBASE-SR4	3mm Round Plenum OM4	12	MPO 1x12	LC 8x12	P-NP	<.35
FMT-028180-XXXM	40GBASE-SR4	3mm Round Plenum OM4	12	MPO 1x12	LC 8x12	P-P	<.35

*Insertion Loss for Connector Only

Fiberdyne Configuration 28

MPO-LC, 12 Pin 8 Fiber to 8 LC, 40G Method A, 2mm Breakout					
Fiber Color Connector A	Color/TX or RX	Connector A MPO 12 Pin Polarity	Breakout B, LC, Pin Polarity	Color/TX or RX	Fiber Color Connector B
Blue	TX1	1	1	RX1	Blue
Orange	TX2	2	2	RX2	Orange
Green	TX3	3	3	RX3	Green
Brown	TX4	4	4	RX4	Brown
Grey	Not Used	5	5	Not Used	Grey
White	Not Used	6	6	Not Used	White
Red	Not Used	7	7	Not Used	Red
Black	Not Used	8	8	Not Used	Black
Yellow	RX4	9	9	TX4	Yellow
Purple	RX3	10	10	TX3	Purple
Pink	RX2	11	11	TX2	Pink
Aqua	RX1	12	12	TX1	Aqua

* -39" standard breakout length, custom lengths available
-Custom Connectors also available

RoHS

Fiberdyne Labs Inc. Frankfort, NY
www.fiberdyne.com

PROPRIETARY AND CONFIDENTIAL
THE INFORMATION CONTAINED IN THIS DRAWING IS THE SOLE PROPERTY OF Fiberdyne Labs Inc. ANY REPRODUCTION IN PART OR AS A WHOLE WITHOUT THE WRITTEN PERMISSION OF Fiberdyne Labs Inc IS PROHIBITED.

FIBERDYNE LABS INC.		
TITLE: Fiberdyne Configuration 28 40Gb, 12Pin 8F MPO-LC Method A		
SIZE B	DWG. NO. 075-11753-001	REV A
SCALE: 1:1	ECR: 14006-001	SHEET 1 OF 1