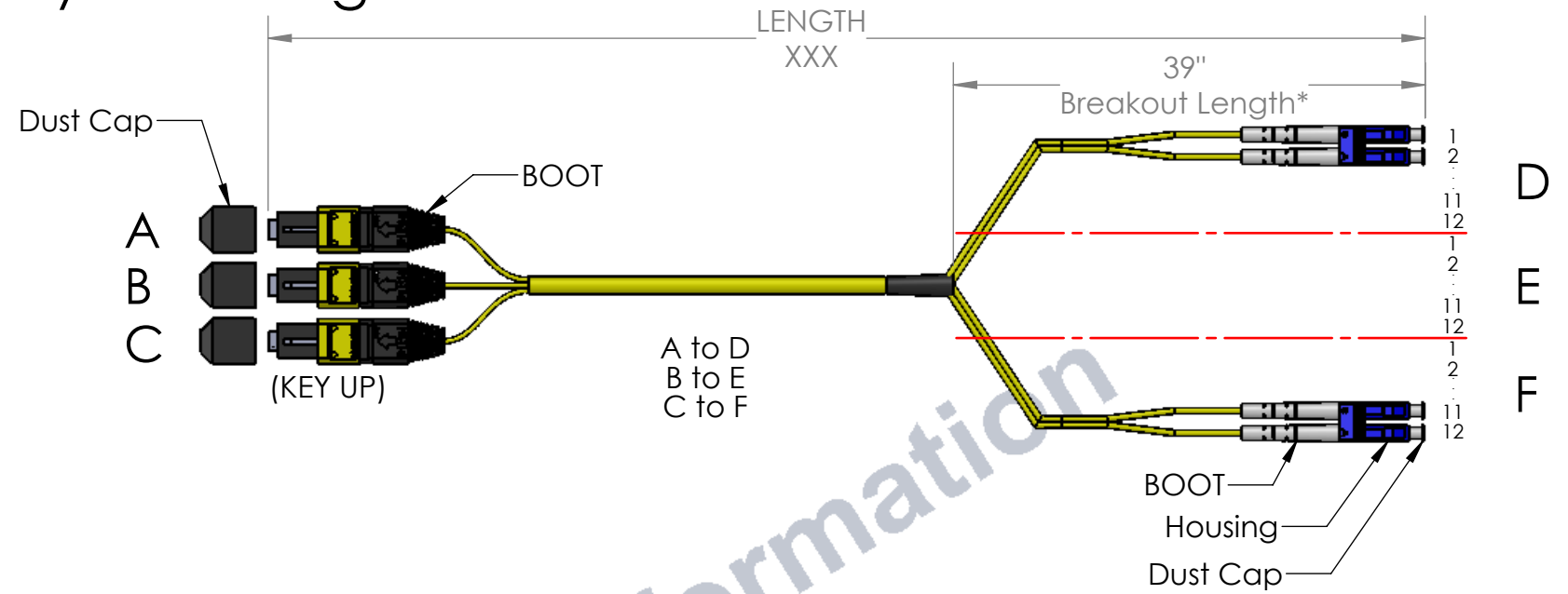
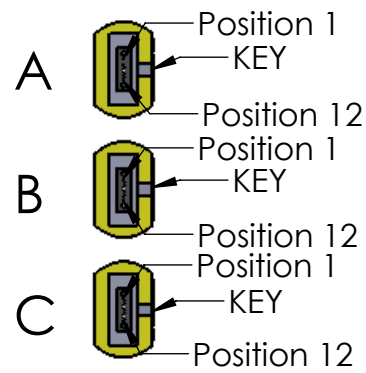


# Fiberdyne Configuration 140



\*-39" standard breakout length, custom lengths available  
-Custom Connectors also available

## Single Mode MPO Assemblies

Fiberdyne Part Number	Fiberdyne Configuration 140	Cable Type OS2	Fiber Count	MPO End Connector	LC Connectors	Guide Pin P=Pinned(Male) NP=Non-Pinned(Female)	Insertion Loss (IL) Standard / Low Loss*
FMT-140010-XXXM	SM Laser	OS2 Round	36	MPO 1x12	Duplex LC	NP-NP	<.75
FMT-140020-XXXM	SM Laser	OS2 Round	36	MPO 1x12	Duplex LC	NP-P	<.75
FMT-140030-XXXM	SM Laser	OS2 Round	36	MPO 1x12	Duplex LC	P-NP	<.75
FMT-140040-XXXM	SM Laser	OS2 Round	36	MPO 1x12	Duplex LC	P-P	<.75
FMT-140050-XXXM	SM Laser	OS2 Round	36	MPO 1x12	Duplex LC	NP-NP	<.35
FMT-140060-XXXM	SM Laser	OS2 Round	36	MPO 1x12	Duplex LC	NP-P	<.35
FMT-140070-XXXM	SM Laser	OS2 Round	36	MPO 1x12	Duplex LC	P-NP	<.35
FMT-140080-XXXM	SM Laser	OS2 Round	36	MPO 1x12	Duplex LC	P-P	<.35

\*Insertion Loss for Connector Only

## Fiberdyne Configuration 140

MPO-LC, Three 12 Pin 12 Fiber MPO to Three Groups of 12 LC, SM, Type A, 2mm Breakout					
Fiber Color	Lane Assignment Connector A	Pin # Connector A	Breakout D, LC, Pin Polarity	Lane Assignment Connector D	Fiber Color
Blue	TX1	1	1	RX1	Blue
Orange	RX1	2	2	TX1	Orange
Green	TX2	3	3	RX2	Green
Brown	RX2	4	4	TX2	Brown
Grey	TX3	5	5	RX3	Grey
White	RX3	6	6	TX3	White
Red	TX4	7	7	RX4	Red
Black	RX4	8	8	TX4	Black
Yellow	TX5	9	9	RX5	Yellow
Purple	RX5	10	10	TX5	Purple
Pink	TX6	11	11	RX6	Pink
Aqua	RX6	12	12	TX6	Aqua

\*Pin configuration shown also applies to MPO B to group E of 12 LCs & MPO C to group F of 12 LCs

# RoHS

Fiberdyne Labs Inc. Frankfort, NY  
www.fiberdyne.com

PROPRIETARY AND CONFIDENTIAL  
THE INFORMATION CONTAINED IN THIS DRAWING IS THE SOLE PROPERTY OF Fiberdyne Labs Inc. ANY REPRODUCTION IN PART OR AS A WHOLE WITHOUT THE WRITTEN PERMISSION OF Fiberdyne Labs Inc IS PROHIBITED.

FIBERDYNE LABS INC.		
TITLE: Fiberdyne Configuration 140		
MPO-LC, Three 12 Pin 12 Fiber MPO to Three Groups of 12 LC, SM		
Type A		
SIZE B	DWG. NO. 075-11865-001	REV A
SCALE: 1:1	ECR: 14006-001	SHEET 1 OF 1