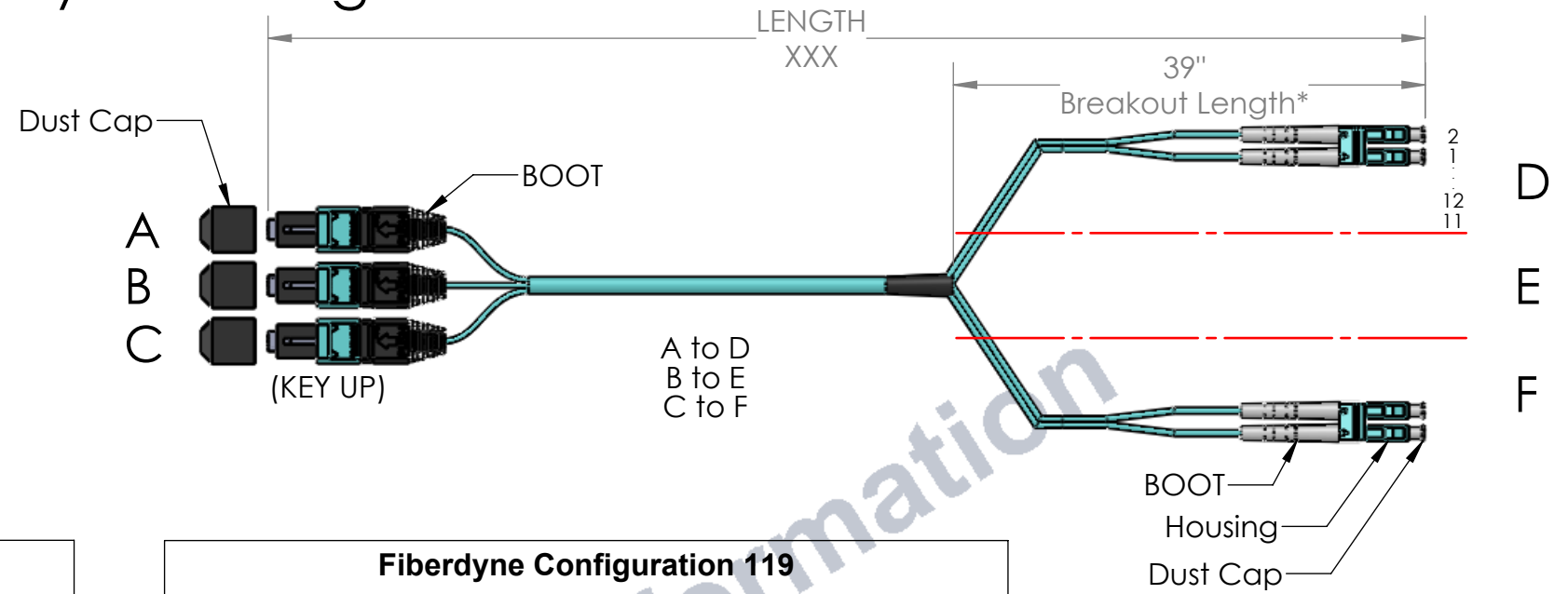
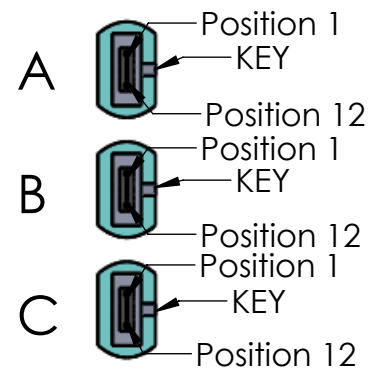


Fiberdyne Configuration 119



10Gb MPO Assemblies

Fiberdyne Part Number	Fiberdyne Configuration 119	Cable Type 50/125 OM3 (Max 100m)	Fiber Count	MPO End Connector	LC Connectors	Guide Pin P=Pinned(Male) NP=Non-Pinned(Female)	Insertion Loss (IL) Standard / Low Loss*
FMT-119010-XXXM	10GBASE-SR	3mm Round Plenum OM3	36	MPO 1x12	Duplex LC	NP-NP	<.75
FMT-119020-XXXM	10GBASE-SR	3mm Round Plenum OM3	36	MPO 1x12	Duplex LC	NP-P	<.75
FMT-119030-XXXM	10GBASE-SR	3mm Round Plenum OM3	36	MPO 1x12	Duplex LC	P-NP	<.75
FMT-119040-XXXM	10GBASE-SR	3mm Round Plenum OM3	36	MPO 1x12	Duplex LC	P-P	<.75
FMT-119050-XXXM	10GBASE-SR	3mm Round Plenum OM3	36	MPO 1x12	Duplex LC	NP-NP	<.35
FMT-119060-XXXM	10GBASE-SR	3mm Round Plenum OM3	36	MPO 1x12	Duplex LC	NP-P	<.35
FMT-119070-XXXM	10GBASE-SR	3mm Round Plenum OM3	36	MPO 1x12	Duplex LC	P-NP	<.35
FMT-119080-XXXM	10GBASE-SR	3mm Round Plenum OM3	36	MPO 1x12	Duplex LC	P-P	<.35
Fiberdyne Part Number	Fiberdyne Configuration 119	Cable Type 50/125 OM4 (Max 150m)	Fiber Count	MPO End Connector	LC Connectors	Guide Pin P=Pinned(Male) NP=Non-Pinned(Female)	Insertion Loss (IL) Standard / Low Loss*
FMT-119110-XXXM	10GBASE-SR	3mm Round Plenum OM4	36	MPO 1x12	Duplex LC	NP-NP	<.75
FMT-119120-XXXM	10GBASE-SR	3mm Round Plenum OM4	36	MPO 1x12	Duplex LC	NP-P	<.75
FMT-119130-XXXM	10GBASE-SR	3mm Round Plenum OM4	36	MPO 1x12	Duplex LC	P-NP	<.75
FMT-119140-XXXM	10GBASE-SR	3mm Round Plenum OM4	36	MPO 1x12	Duplex LC	P-P	<.75
FMT-119150-XXXM	10GBASE-SR	3mm Round Plenum OM4	36	MPO 1x12	Duplex LC	NP-NP	<.35
FMT-119160-XXXM	10GBASE-SR	3mm Round Plenum OM4	36	MPO 1x12	Duplex LC	NP-P	<.35
FMT-119170-XXXM	10GBASE-SR	3mm Round Plenum OM4	36	MPO 1x12	Duplex LC	P-NP	<.35
FMT-119180-XXXM	10GBASE-SR	3mm Round Plenum OM4	36	MPO 1x12	Duplex LC	P-P	<.35

*Insertion Loss for Connector Only

Fiberdyne Configuration 119

MPO-LC, Three 12 Pin 12 Fiber MPO to Three Groups of 12 LC, 10G, Type C, 2mm Breakout					
Fiber Color	Lane Assignment Connector A	Pin # Connector A	Breakout D, LC, Pin Polarity	Lane Assignment Connector D	Fiber Color
Blue	TX1	1	2	RX1	Blue
Orange	RX1	2	1	TX1	Orange
Green	TX2	3	4	RX2	Green
Brown	RX2	4	3	TX2	Brown
Grey	TX3	5	6	RX3	Grey
White	RX3	6	5	TX3	White
Red	TX4	7	8	RX4	Red
Black	RX4	8	7	TX4	Black
Yellow	TX5	9	10	RX5	Yellow
Purple	RX5	10	9	TX5	Purple
Pink	TX6	11	12	RX6	Pink
Aqua	RX6	12	11	TX6	Aqua

*Pin configuration shown also applies to MPO B to group E of 12 LCs & MPO C to group F of 12 LCs

*-39" standard breakout length, custom lengths available
-Custom Connectors also available

RoHS

FIBERDYNE LABS INC.

TITLE: Fiberdyne Configuration 119
MPO-LC, Three 12 Pin 12 Fiber MPO to Three Groups of 12 LC, 10G
Type C

SIZE B	DWG. NO. 075-11844-001	REV A
--------	------------------------	-------

SCALE: 1:1 ECR: 14006-001 SHEET 1 OF 1

Fiberdyne Labs Inc. Frankfort, NY
www.fiberdyne.com

PROPRIETARY AND CONFIDENTIAL
THE INFORMATION CONTAINED IN THIS DRAWING IS THE SOLE PROPERTY OF Fiberdyne Labs Inc. ANY REPRODUCTION IN PART OR AS A WHOLE WITHOUT THE WRITTEN PERMISSION OF Fiberdyne Labs Inc IS PROHIBITED.