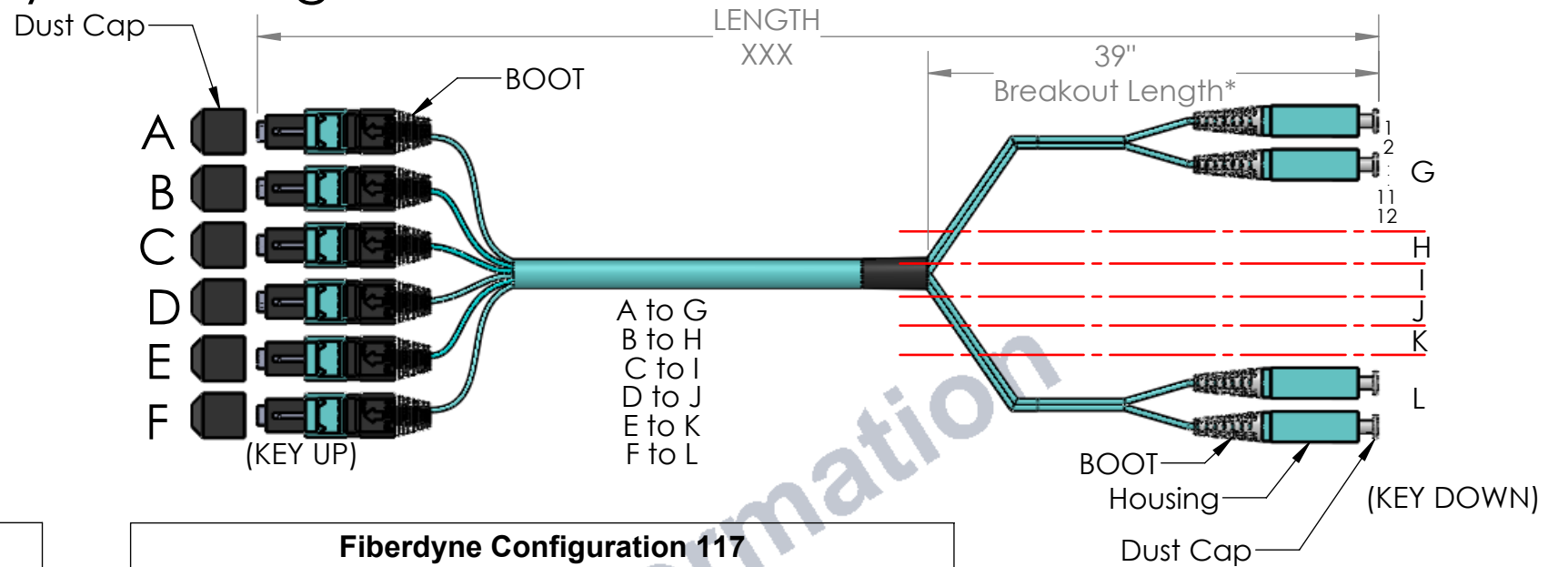
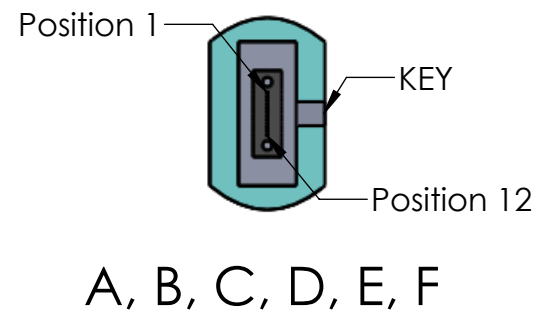


Fiberdyne Configuration 117



10Gb MPO Assemblies

Fiberdyne Part Number	Fiberdyne Configuration 117	Cable Type 50/125 OM3 (Max 100m)	Fiber Count	MPO End Connector	SC Connectors	Guide Pin P=Pinned(Male) NP=Non-Pinned(Female)	Insertion Loss (IL) Standard / Low Loss*
FMT-117010-XXXM	10GBASE-SR	3mm Round Plenum OM3	72	MPO 1x12	SC	NP-NP	<.75
FMT-117020-XXXM	10GBASE-SR	3mm Round Plenum OM3	72	MPO 1x12	SC	NP-P	<.75
FMT-117030-XXXM	10GBASE-SR	3mm Round Plenum OM3	72	MPO 1x12	SC	P-NP	<.75
FMT-117040-XXXM	10GBASE-SR	3mm Round Plenum OM3	72	MPO 1x12	SC	P-P	<.75
FMT-117050-XXXM	10GBASE-SR	3mm Round Plenum OM3	72	MPO 1x12	SC	NP-NP	<.35
FMT-117060-XXXM	10GBASE-SR	3mm Round Plenum OM3	72	MPO 1x12	SC	NP-P	<.35
FMT-117070-XXXM	10GBASE-SR	3mm Round Plenum OM3	72	MPO 1x12	SC	P-NP	<.35
FMT-117080-XXXM	10GBASE-SR	3mm Round Plenum OM3	72	MPO 1x12	SC	P-P	<.35
Fiberdyne Part Number	Fiberdyne Configuration 117	Cable Type 50/125 OM4 (Max 150m)	Fiber Count	MPO End Connector	SC Connectors	Guide Pin P=Pinned(Male) NP=Non-Pinned(Female)	Insertion Loss (IL) Standard / Low Loss*
FMT-117110-XXXM	10GBASE-SR	3mm Round Plenum OM4	72	MPO 1x12	SC	NP-NP	<.75
FMT-117120-XXXM	10GBASE-SR	3mm Round Plenum OM4	72	MPO 1x12	SC	NP-P	<.75
FMT-117130-XXXM	10GBASE-SR	3mm Round Plenum OM4	72	MPO 1x12	SC	P-NP	<.75
FMT-117140-XXXM	10GBASE-SR	3mm Round Plenum OM4	72	MPO 1x12	SC	P-P	<.75
FMT-117150-XXXM	10GBASE-SR	3mm Round Plenum OM4	72	MPO 1x12	SC	NP-NP	<.35
FMT-117160-XXXM	10GBASE-SR	3mm Round Plenum OM4	72	MPO 1x12	SC	NP-P	<.35
FMT-117170-XXXM	10GBASE-SR	3mm Round Plenum OM4	72	MPO 1x12	SC	P-NP	<.35
FMT-117180-XXXM	10GBASE-SR	3mm Round Plenum OM4	72	MPO 1x12	SC	P-P	<.35

*Insertion Loss for Connector Only

Fiberdyne Configuration 117

MPO-SC, Six 12 Pin 12 Fiber MPO to Six Groups of 12 SC, 10G, Type A, 2mm Breakout					
Fiber Color	Lane Assignment Connector A	Pin # Connector A	Breakout G, SC, Pin Polarity	Lane Assignment Connector G	Fiber Color
Blue	TX1	1	1	RX1	Blue
Orange	RX1	2	2	TX1	Orange
Green	TX2	3	3	RX2	Green
Brown	RX2	4	4	TX2	Brown
Grey	TX3	5	5	RX3	Grey
White	RX3	6	6	TX3	White
Red	TX4	7	7	RX4	Red
Black	RX4	8	8	TX4	Black
Yellow	TX5	9	9	RX5	Yellow
Purple	RX5	10	10	TX5	Purple
Pink	TX6	11	11	RX6	Pink
Aqua	RX6	12	12	TX6	Aqua

*Pin configuration shown also applies to MPO B to group H of 12 SCs, MPO C to group I of 12 SCs, MPO D to group J of 12 SCs, MPO E to group K of 12 SCs & MPO F to group L of 12 SCs

*-39" standard breakout length, custom lengths available
-Custom Connectors also available

RoHS

Fiberdyne Labs Inc. Frankfort, NY
www.fiberdyne.com

PROPRIETARY AND CONFIDENTIAL

THE INFORMATION CONTAINED IN THIS DRAWING IS THE SOLE PROPERTY OF Fiberdyne Labs Inc. ANY REPRODUCTION IN PART OR AS A WHOLE WITHOUT THE WRITTEN PERMISSION OF Fiberdyne Labs Inc IS PROHIBITED.

FIBERDYNE LABS INC.

TITLE: Fiberdyne Configuration 117
MPO-SC, Six 12 Pin 12 Fiber MPO to Six Groups of 12 SC, 10G
Type A

SIZE B	DWG. NO. 075-11842-001	REV A
------------------	---------------------------	----------

SCALE: 1:1 ECR: 14006-001 SHEET 1 OF 1