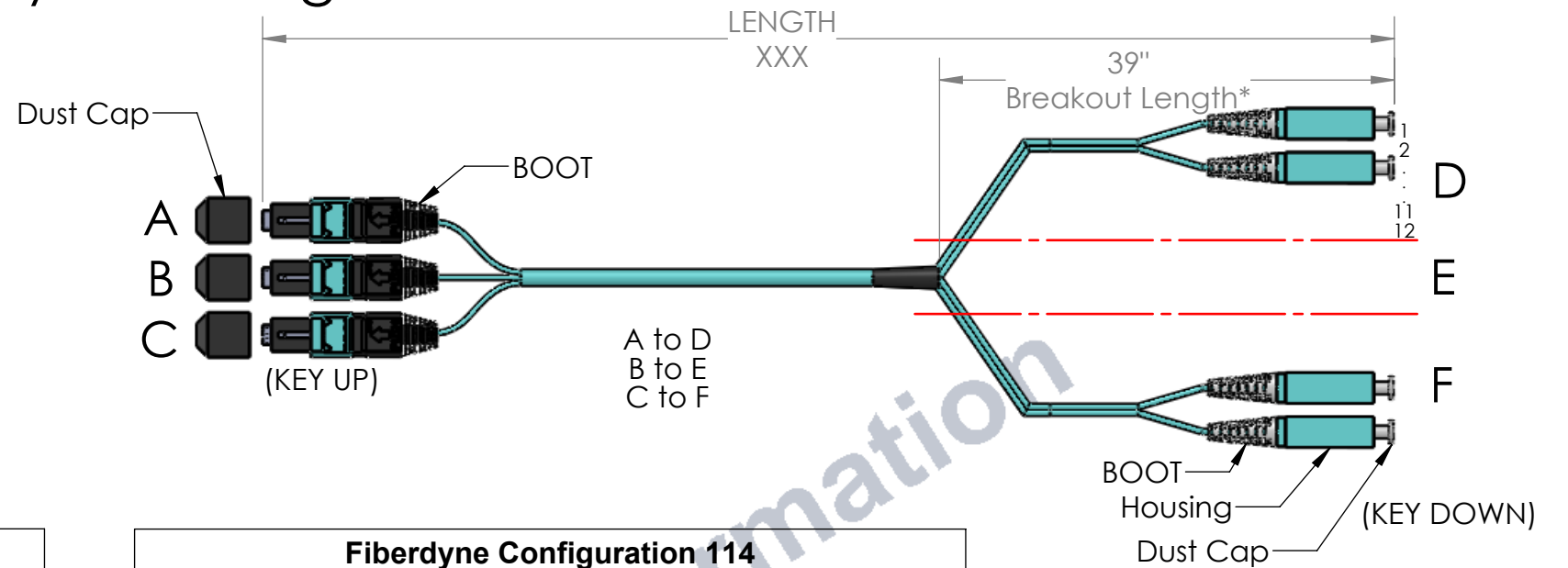
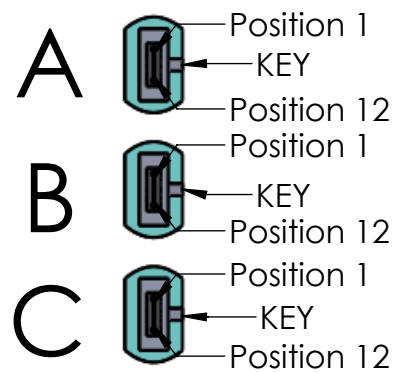


Fiberdyne Configuration 114



10Gb MPO Assemblies

Fiberdyne Part Number	Fiberdyne Configuration 114	Cable Type 50/125 OM3 (Max 100m)	Fiber Count	MPO End Connector	SC Connectors	Guide Pin P=Pinned(Male) NP=Non-Pinned(Female)	Insertion Loss (IL) Standard / Low Loss*
FMT-114010-XXXM	10GBASE-SR	3mm Round Plenum OM3	36	MPO 1x12	SC	NP-NP	<.75
FMT-114020-XXXM	10GBASE-SR	3mm Round Plenum OM3	36	MPO 1x12	SC	NP-P	<.75
FMT-114030-XXXM	10GBASE-SR	3mm Round Plenum OM3	36	MPO 1x12	SC	P-NP	<.75
FMT-114040-XXXM	10GBASE-SR	3mm Round Plenum OM3	36	MPO 1x12	SC	P-P	<.75
FMT-114050-XXXM	10GBASE-SR	3mm Round Plenum OM3	36	MPO 1x12	SC	NP-NP	<.35
FMT-114060-XXXM	10GBASE-SR	3mm Round Plenum OM3	36	MPO 1x12	SC	NP-P	<.35
FMT-114070-XXXM	10GBASE-SR	3mm Round Plenum OM3	36	MPO 1x12	SC	P-NP	<.35
FMT-114080-XXXM	10GBASE-SR	3mm Round Plenum OM3	36	MPO 1x12	SC	P-P	<.35
Fiberdyne Part Number	Fiberdyne Configuration 114	Cable Type 50/125 OM4 (Max 150m)	Fiber Count	MPO End Connector	SC Connectors	Guide Pin P=Pinned(Male) NP=Non-Pinned(Female)	Insertion Loss (IL) Standard / Low Loss*
FMT-114110-XXXM	10GBASE-SR	3mm Round Plenum OM4	36	MPO 1x12	SC	NP-NP	<.75
FMT-114120-XXXM	10GBASE-SR	3mm Round Plenum OM4	36	MPO 1x12	SC	NP-P	<.75
FMT-114130-XXXM	10GBASE-SR	3mm Round Plenum OM4	36	MPO 1x12	SC	P-NP	<.75
FMT-114140-XXXM	10GBASE-SR	3mm Round Plenum OM4	36	MPO 1x12	SC	P-P	<.75
FMT-114150-XXXM	10GBASE-SR	3mm Round Plenum OM4	36	MPO 1x12	SC	NP-NP	<.35
FMT-114160-XXXM	10GBASE-SR	3mm Round Plenum OM4	36	MPO 1x12	SC	NP-P	<.35
FMT-114170-XXXM	10GBASE-SR	3mm Round Plenum OM4	36	MPO 1x12	SC	P-NP	<.35
FMT-114180-XXXM	10GBASE-SR	3mm Round Plenum OM4	36	MPO 1x12	SC	P-P	<.35

*Insertion Loss for Connector Only

Fiberdyne Configuration 114

MPO-SC, Three 12 Pin 12 Fiber MPO to Three Groups of 12 SC, 10G, Type A, 2mm Breakout

Fiber Color	Lane Assignment Connector A	Pin # Connector A	Breakout D, SC, Pin Polarity	Lane Assignment Connector D	Fiber Color
Blue	TX1	1	1	RX1	Blue
Orange	RX1	2	2	TX1	Orange
Green	TX2	3	3	RX2	Green
Brown	RX2	4	4	TX2	Brown
Grey	TX3	5	5	RX3	Grey
White	RX3	6	6	TX3	White
Red	TX4	7	7	RX4	Red
Black	RX4	8	8	TX4	Black
Yellow	TX5	9	9	RX5	Yellow
Purple	RX5	10	10	TX5	Purple
Pink	TX6	11	11	RX6	Pink
Aqua	RX6	12	12	TX6	Aqua

*Pin configuration shown also applies to MPO B to group E of 12 SCs & MPO C to group F of 12 SCs

*-39" standard breakout length, custom lengths available
-Custom Connectors also available

RoHS

FIBERDYNE LABS INC.

TITLE: Fiberdyne Configuration 114
MPO-SC, Three 12 Pin 12 Fiber MPO to Three Groups of 12 SC, 10G
Type A

SIZE DWG. NO. REV
B 075-11839-001 A

SCALE: 1:1 ECR: 14006-001 SHEET 1 OF 1

Fiberdyne Labs Inc. Frankfort, NY
www.fiberdyne.com

PROPRIETARY AND CONFIDENTIAL
THE INFORMATION CONTAINED IN THIS DRAWING IS THE SOLE PROPERTY OF Fiberdyne Labs Inc. ANY REPRODUCTION IN PART OR AS A WHOLE WITHOUT THE WRITTEN PERMISSION OF Fiberdyne Labs Inc IS PROHIBITED.