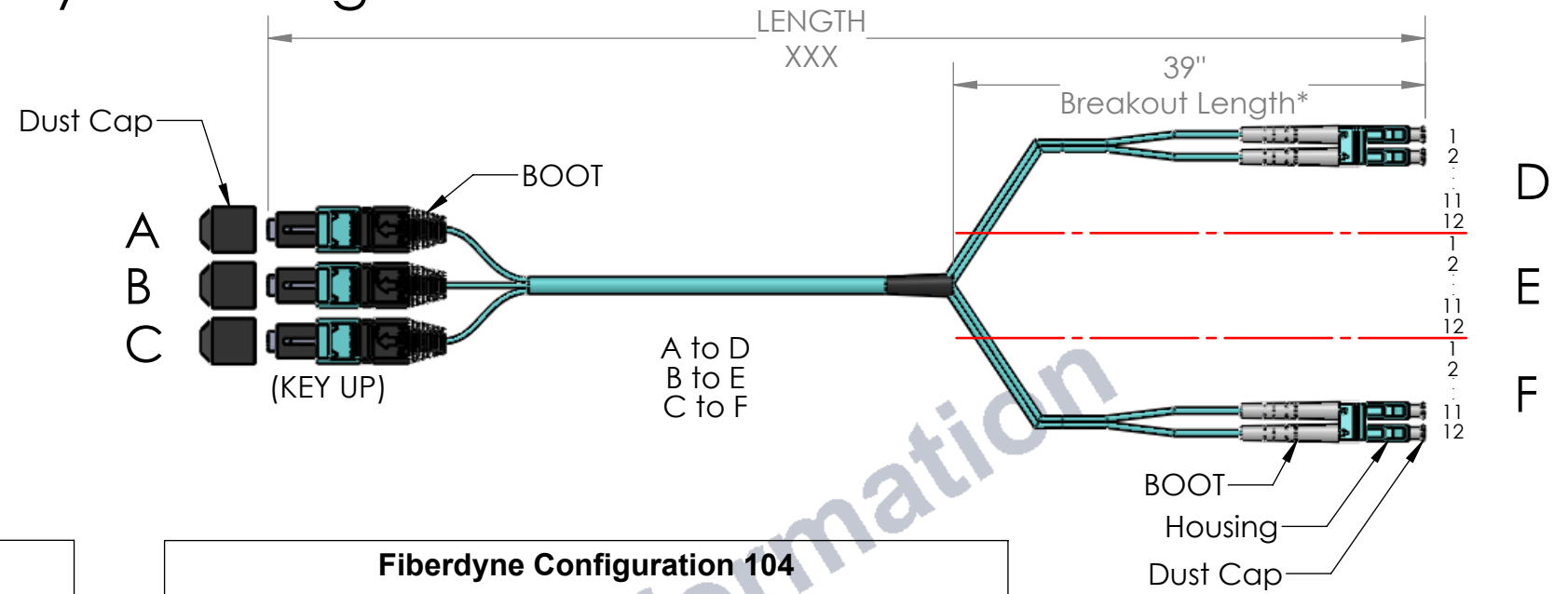
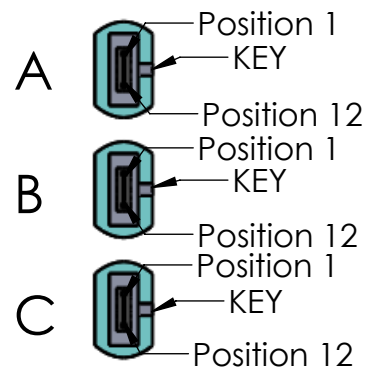


Fiberdyne Configuration 104



10Gb MPO Assemblies

Fiberdyne Part Number	Fiberdyne Configuration 104	Cable Type 50/125 OM3 (Max 100m)	Fiber Count	MPO End Connector	LC Connectors	Guide Pin P=Pinned(Male) NP=Non-Pinned(Female)	Insertion Loss (IL) Standard / Low Loss*
FMT-104010-XXXM	10GBASE-SR	3mm Round Plenum OM3	36	MPO 1x12	Duplex LC	NP-NP	<.75
FMT-104020-XXXM	10GBASE-SR	3mm Round Plenum OM3	36	MPO 1x12	Duplex LC	NP-P	<.75
FMT-104030-XXXM	10GBASE-SR	3mm Round Plenum OM3	36	MPO 1x12	Duplex LC	P-NP	<.75
FMT-104040-XXXM	10GBASE-SR	3mm Round Plenum OM3	36	MPO 1x12	Duplex LC	P-P	<.75
FMT-104050-XXXM	10GBASE-SR	3mm Round Plenum OM3	36	MPO 1x12	Duplex LC	NP-NP	<.35
FMT-104060-XXXM	10GBASE-SR	3mm Round Plenum OM3	36	MPO 1x12	Duplex LC	NP-P	<.35
FMT-104070-XXXM	10GBASE-SR	3mm Round Plenum OM3	36	MPO 1x12	Duplex LC	P-NP	<.35
FMT-104080-XXXM	10GBASE-SR	3mm Round Plenum OM3	36	MPO 1x12	Duplex LC	P-P	<.35
Fiberdyne Part Number	Fiberdyne Configuration 104	Cable Type 50/125 OM4 (Max 150m)	Fiber Count	MPO End Connector	LC Connectors	Guide Pin P=Pinned(Male) NP=Non-Pinned(Female)	Insertion Loss (IL) Standard / Low Loss*
FMT-104110-XXXM	10GBASE-SR	3mm Round Plenum OM4	36	MPO 1x12	Duplex LC	NP-NP	<.75
FMT-104120-XXXM	10GBASE-SR	3mm Round Plenum OM4	36	MPO 1x12	Duplex LC	NP-P	<.75
FMT-104130-XXXM	10GBASE-SR	3mm Round Plenum OM4	36	MPO 1x12	Duplex LC	P-NP	<.75
FMT-104140-XXXM	10GBASE-SR	3mm Round Plenum OM4	36	MPO 1x12	Duplex LC	P-P	<.75
FMT-104150-XXXM	10GBASE-SR	3mm Round Plenum OM4	36	MPO 1x12	Duplex LC	NP-NP	<.35
FMT-104160-XXXM	10GBASE-SR	3mm Round Plenum OM4	36	MPO 1x12	Duplex LC	NP-P	<.35
FMT-104170-XXXM	10GBASE-SR	3mm Round Plenum OM4	36	MPO 1x12	Duplex LC	P-NP	<.35
FMT-104180-XXXM	10GBASE-SR	3mm Round Plenum OM4	24	MPO 1x12	Duplex LC	P-P	<.35

*Insertion Loss for Connector Only

Fiberdyne Configuration 104

Fiber Color Connector	Lane Assignment Connector A	Pin # Connector A	Breakout D, LC, Pin Polarity	Lane Assignment Connector D	Fiber Color Connector
Blue	TX1	1	1	RX1	Blue
Orange	RX1	2	2	TX1	Orange
Green	TX2	3	3	RX2	Green
Brown	RX2	4	4	TX2	Brown
Grey	TX3	5	5	RX3	Grey
White	RX3	6	6	TX3	White
Red	TX4	7	7	RX4	Red
Black	RX4	8	8	TX4	Black
Yellow	TX5	9	9	RX5	Yellow
Purple	RX5	10	10	TX5	Purple
Pink	TX6	11	11	RX6	Pink
Aqua	RX6	12	12	TX6	Aqua

*Pin configuration shown also applies to MPO B to group E of 12 LCs & MPO C to group F of 12 LCs

* -39" standard breakout length, custom lengths available
-Custom Connectors also available

RoHS

Fiberdyne Labs Inc. Frankfort, NY
www.fiberdyne.com

PROPRIETARY AND CONFIDENTIAL

THE INFORMATION CONTAINED IN THIS DRAWING IS THE SOLE PROPERTY OF Fiberdyne Labs Inc. ANY REPRODUCTION IN PART OR AS A WHOLE WITHOUT THE WRITTEN PERMISSION OF Fiberdyne Labs Inc IS PROHIBITED.

FIBERDYNE LABS INC.		
TITLE: Fiberdyne Configuration 104		
MPO-LC, Three 12 Pin 12 Fiber MPO to Three Groups of 12 LC, 10G		
Type A		
SIZE B	DWG. NO. 075-11829-001	REV A
SCALE: 1:1	ECR: 14006-001	SHEET 1 OF 1